

JVC

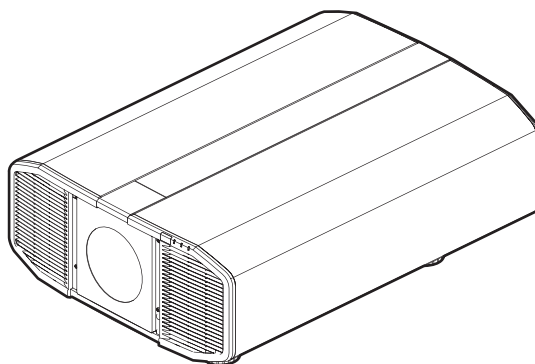
INSTRUCTIONS

D-ILA Projector

DLA-VS4550 DLA-VS4600 DLA-VS4700

BLU-Escent

D-ILA[®]



For Customer use :

Enter below the serial No. which is located on the side of the cabinet.
Retain this information for future reference.

DLA-VS4550,
DLA-VS4600,
Model No. DLA-VS4700

Serial No. _____

Safety Precautions

IMPORTANT INFORMATION

WARNING:

TO PREVENT FIRE OR SHOCK HAZARDS, DO NOT EXPOSE THIS APPLIANCE TO RAIN OR MOISTURE.

WARNING:

THIS APPARATUS MUST BE EARTHED.

CAUTION:

To reduce the risk of electric shock, do not remove cover. Refer servicing to qualified service personnel.

This projector is equipped with a 3-blade grounding type plug to satisfy FCC rule. If you are unable to insert the plug into the outlet, contact your electrician.

NOISE EMISSION DECLARATION

The sound pressure level at the operator position is equal or less than 60dB(A) according to ISO7779.

WARNING

REMOVE THE LENS COVER BEFORE TURNING ON THE PROJECTOR

WARNING

This equipment is compliant with Class A of CISPR 32.
In residential environment this equipment may cause radio interference.

FCC INFORMATION (U.S.A. only)

CAUTION:

Changes or modification not approved by JVC could void the user's authority to operate the equipment.

NOTE:


This equipment has been tested and found to comply with the limits for a Class A digital device, pursuant to Part 15 of the FCC Rules. These limits are designed to provide reasonable protection against harmful interference when the equipment is operated in a commercial environment. This equipment generates, uses, and can radiate radio frequency energy and, if not installed and used in accordance with the instruction manual, may cause harmful interference to radio communications. Operation of this equipment in a residential area is likely to cause harmful interference in which case the user will be required to correct the interference at his own expense.

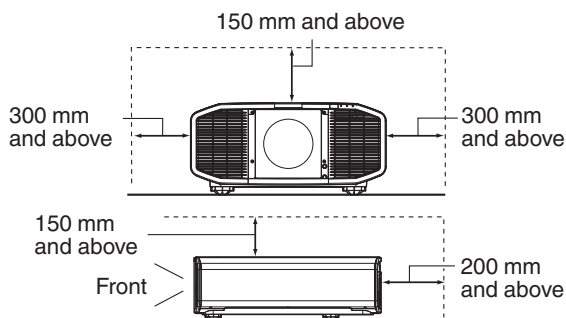
About the installation place

Do not install the projector in a place that cannot support its weight securely.
If the installation place is not sturdy enough, the projector could fall or overturn, possibly causing personal injury.

IMPORTANT SAFEGUARDS

Electrical energy can perform many useful functions. This unit has been engineered and manufactured to assure your personal safety. But **IMPROPER USE CAN RESULT IN POTENTIAL ELECTRICAL SHOCK OR FIRE HAZARD.** In order not to defeat the safeguards incorporated into this product, observe the following basic rules for its installation, use and service. Please read these Important Safeguards carefully before use.

- All the safety and operating instructions should be read before the product is operated.
 - The safety and operating instructions should be retained for future reference.
 - All warnings on the product and in the operating instructions should be adhered to.
 - All operating instructions should be followed.
 - Place the projector near a wall outlet where the plug can be easily unplugged.
 - Unplug this product from the wall outlet before cleaning.
 - Do not use liquid cleaners or aerosol cleaners. Use a damp cloth for cleaning.
 - Do not use attachments not recommended by the product manufacturer as they may be hazardous.
 - Do not use this product near water. Do not use immediately after moving from a low temperature to high temperature, as this causes condensation, which may result in fire, electric shock, or other hazards.
 - Do not place this product on an unstable cart, stand, or table. The product may fall, causing serious injury to a child or adult, and serious damage to the product. The product should be mounted according to the manufacturer's instructions, and should use a mount recommended by the manufacturer.
 - When the product is used on a cart, care should be taken to avoid quick stops, excessive force, and uneven surfaces which may cause the product and cart to overturn, damaging equipment or causing possible injury to the operator.
- PORTABLE CART WARNING
(symbol provided by RETAC)
- 
- S3126A
- Slots and openings in the cabinet are provided for ventilation. These ensure reliable operation of the product and protect it from overheating. These openings must not be blocked or covered. (The openings should never be blocked by placing the product on bed, sofa, rug, or similar surface. It should not be placed in a built-in installation such as a bookcase or rack unless proper ventilation is provided and the manufacturer's instructions have been adhered to.)
 - To allow better heat dissipation, keep a clearance between this unit and its surrounding as shown below. When this unit is enclosed in a space of dimensions as shown below, use an air-conditioner so that the internal and external temperatures are the same. Overheating can cause damage.



- Power source indicated on the label. If you are not sure of the type of power supply to your home, consult your product dealer or local power company.
- This product is equipped with a three-wire plug. This plug will fit only into a grounded power outlet. If you are unable to insert the plug into the outlet, contact your electrician to install the proper outlet. Do not defeat the safety purpose of the grounded plug.
- Power-supply cords should be routed so that they are not likely to be walked on or pinched by items placed upon or against them. Pay particular attention to cords at doors, plugs, receptacles, and the point where they exit from the product.
- For added protection of this product during a lightning storm, or when it is left unattended and unused for long periods of time, unplug it from the wall outlet and disconnect the cable system. This will prevent damage to the product due to lightning and power line surges.
- Do not overload wall outlets, extension cords, or convenience receptacles on other equipment as this can result in a risk of fire or electric shock.
- Never push objects of any kind into this product through openings as they may touch dangerous voltage points or short out parts that could result in a fire or electric shock. Never spill liquid of any kind on the product.
- Do not attempt to service this product yourself as opening or removing covers may expose you to dangerous voltages and other hazards. Refer all service to qualified service personnel.
- Unplug this product from the wall outlet and refer service to qualified service personnel under the following conditions:
 - a) When the power supply cord or plug is damaged.
 - b) If liquid has been spilled, or objects have fallen on the product.
 - c) If the product has been exposed to rain or water.
 - d) If the product does not operate normally by following the operating instructions. Adjust only those controls that are covered by the Operation Manual, as an improper adjustment of controls may result in damage and will often require extensive work by a qualified technician to restore the product to normal operation.
 - e) If the product has been dropped or damaged in any way.
 - f) When the product exhibits a distinct change in performance, this indicates a need for service.

- When replacement parts are required, be sure the service technician has used replacement parts specified by the manufacturer or with same characteristics as the original part. Unauthorized substitutions may result in fire, electric shock, or other hazards.
- Upon completion of any service or repairs to this product, ask the service technician to perform safety checks to determine that the product is in proper operating condition.
- The product should be placed more than one foot away from heat sources such as radiators, heat registers, stoves, and other products (including amplifiers) that produce heat.
- When connecting other products such as VCR's, and DVD players, you should turn off the power of this product for protection against electric shock.
- Do not place combustibles behind the cooling fan. For example, cloth, paper, matches, aerosol cans or gas lighters that present special hazards when over heated.
- Do not ceiling-mount the projector to a place which tends to vibrate; otherwise, the attaching fixture of the projector could be broken by the vibration, possibly causing it to fall or overturn, which could lead to personal injury.
- Use only the accessory cord designed for this product to prevent shock.
- For health reasons, please take a break of about 5-15 minutes every 30-60 minutes and let your eyes rest. Please refrain from watching any 3D-images when you feel tired, unwell or if you feel any other discomfort. Moreover, in case you see a double image, please adjust the equipment and software for proper display. Please stop using the unit if the double image is still visible after adjustment.
- Once every three years, please perform an internal test. This unit is provided with replacement parts needed to maintain its function (such as cooling fans). Estimated replacement time of parts can vary greatly depending on frequency of use and the respective environment. For replacement, please consult your dealer, or the nearest authorized JVC service center.
- When fixing the unit to the ceiling, Please note that we do not take any responsibility, even during the warranty period, if the product is damaged due to use of metal fixtures used for fixation to the ceiling other than our own or if the installation environment of said metal fixtures is not appropriate. If the unit is suspended from the ceiling during use, please be careful in regard to the ambient temperature of the unit. If you use a central heating, the temperature close to the ceiling will be higher than normally expected.
- Video images can burn into the electronic component parts. Please do not display screens with still images of high brightness or high contrast, such as found in video games and computer programs. Over a long period of time it might stick to the picture element. There is no problem with the playback of moving images, e.g. normal video footage.
- Not using the unit for a long time can lead to malfunction. Please power it on and let it run occasionally. Please avoid using the unit in a room where cigarettes are smoked. It is impossible to clean optical component parts if they are contaminated by nicotine or tar. This might lead to performance degradation.
- Please watch from a distance three times the height of the projected image size. Persons with photosensitivity, any kind of heart disease, or weak health should not use 3D glasses.
- Watching 3D-images might be cause of illness. If you feel any change in your physical condition, please stop watching immediately and consult a physician if necessary.
- When watching 3D images, it is recommended to take regular breaks. As the length and frequency of the required breaks differ for every person, please judge according to your own condition.
- If your child watches while wearing 3D glasses, it should be accompanied by its parents or an adult guardian. The adult guardian should be careful to avoid situations where the child's eyes might become tired, as responses to tiredness and discomfort, etc., are hard to detect, and it is possible for the physical condition to deteriorate very quickly. As the visual sense is not yet fully developed in children under the age of 6, please consult a physician in regard to any problem concerning 3D-images if necessary.
- Note that when using the 3D feature, the video output may appear different from the original video image due to image conversion on the device.

*** DO NOT allow any unqualified person to install the unit.**

Be sure to ask your dealer to install the unit (e.g. attaching it to the ceiling) since special technical knowledge and skills are required for installation. If installation is performed by an unqualified person, it may cause personal injury or electrical shock.

- Do not use optical instruments (such as magnifying glass or reflector) viewing the laser output. It may pose an eye hazard.
- When turning on the projector, ensure that no one is looking into the projection lens.
- Do not look into the lens and openings when the light is on. Doing so would have serious effects on the human body.
- Do not detach or attach the projection lens with the power connected.
- Attempting to disassemble, repair or modify the projector yourself may lead to serious safety issues.
- Using a faulty product not only results in electrical shock or fire hazard, it can cause visual impairment.
- When abnormality occur, stop using the projector immediately and send it to your authorized dealer for repair.

POWER CONNECTION

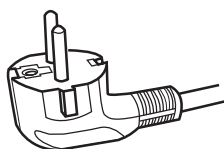
For USA and Canada only
Use only the following power cord.

Power cord



The power supply voltage rating of this product is AC100V – AC240V. Use only the power cord designated by our dealer to ensure Safety and EMC. Ensure that the power cable used for the projector is the correct type for the AC outlet in your country. Consult your product dealer.

Power cord



For European continent countries

WARNING:

Do not cut off the main plug from this equipment.

If the plug fitted is not suitable for the power points in your home or the cable is too short to reach a power point, then obtain an appropriate safety approved extension lead or adapter or consult your dealer. If nonetheless the mains plug is cut off, dispose of the plug immediately, to avoid a possible shock hazard by inadvertent connection to the main supply.

WARNING:

THIS APPARATUS MUST BE EARTHED.

Dear Customer,

This apparatus is in conformance with the valid European directives and standards regarding electromagnetic compatibility and electrical safety.

European representative of
JVCKENWOOD Corporation is:
JVCKENWOOD Deutschland GmbH
Konrad-Adenauer-Allee 1-11,
61118 Bad Vilbel,
GERMANY

IMPORTANT (Europe only):

The wires in the mains lead on this product are colored in accordance with the following cord:

Green-and-yellow	: Earth
Blue	: Neutral
Brown	: Live

As these colors may not correspond with the colored making identifying the terminals in your plug, proceed as follows:

The wire which is colored green-and-yellow must be connected to the terminal which is marked M with the letter E or the safety earth or colored green or green-and-yellow. The wire which is colored blue must be connected to the terminal which is marked with the letter N or colored black.

The wire which is colored brown must be connected to the terminal which is marked with the letter L or colored red.

Information for Users on Disposal of Old Equipment and Batteries



Products



Battery

[European Union only]

These symbols indicate that equipment with these symbols should not be disposed of as general household waste. If you want to dispose of the product or battery, please consider the collection systems or facilities for appropriate recycling.

Notice: The sign Pb below the symbol for batteries indicates that this battery contains lead.

Informations relatives à l'élimination des appareils et des piles usagés, à l'intention des utilisateurs



Produits



Pile

[Union européenne seulement]

Si ces symboles figurent sur les produits, cela signifie qu'ils ne doivent pas être jetés comme déchets ménagers. Si vous voulez jeter ce produit ou cette pile, veuillez considérer le système de collecte des déchets ou les centres de recyclage appropriés.

Notification: La symbole Pb en dessous du symbole des piles indique que cette pile contient du plomb.

Información para los usuarios sobre la eliminación de baterías/pilas usadas



Productos



Baterías/pilas

[Sólo Unión Europea]

Estos símbolos indican que el equipo con estos símbolos no debe desecharse con la basura doméstica. Si desea desechar el producto o batería/pila, acuda a los sistemas o centros de recogida para que los reciclen debidamente.

Atención: La indicación Pb debajo del símbolo de batería/pila indica que ésta contiene plomo.

Benutzerinformationen zur Entsorgung alter Geräte und Batterien



Produkte



Batterie

[Nur Europäische Union]

Diese Symbole zeigen an, dass derartig gekennzeichnete Geräte nicht als normaler Haushaltsabfall entsorgt werden dürfen. Wenden Sie sich zur Entsorgung des Produkts oder der Batterie an die hierfür vorgesehenen Sammelstellen oder Einrichtungen, damit eine fachgerechte Wiederverwertung möglich ist.

Hinweis: Das Zeichen Pb unterhalb des Batteriesymbols gibt an, dass diese Batterie Blei enthält.

Informazioni per gli utenti sullo smaltimento delle apparecchiature e batterie obsolete



Prodotti



Batteria

[Solo per l'Unione Europea]

Questi simboli indicano che le apparecchiature a cui sono relativi non devono essere smaltite tra i rifiuti domestici generici. Se si desidera smaltire questo prodotto o questa batteria, prendere in considerazione i sistemi o le strutture di raccolta appropriati per il riciclaggio corretto.

Nota: Il simbolo Pb sotto il simbolo delle batterie indica che questa batteria contiene piombo.

Informatie voor gebruikers over het verwijderen van oude apparatuur en batterijen



Producten



Batterij

[Alleen Europese Unie]

Deze symbolen geven aan dat apparatuur met dit symbool niet mag worden weggegooid als algemeen huishoudelijk afval. Als u het product of de batterij wilt weggooien, kunt u inzamelsystemen of faciliteiten voor een geschikte recycling gebruiken.

Opmerking: Het teken Pb onder het batterijsymbool geeft aan dat deze batterij lood bevat.

For the customers In the U.S.A. and Canada
CAUTION

Use of controls or adjustments or performance of procedures other than those specified herein may result in hazardous radiation exposure.
 This Projector is classified as a CLASS 3R LASER PRODUCT.
 This CLASS 3R LASER PRODUCT label and Caution label is located on the Rear Side surface of the projector.

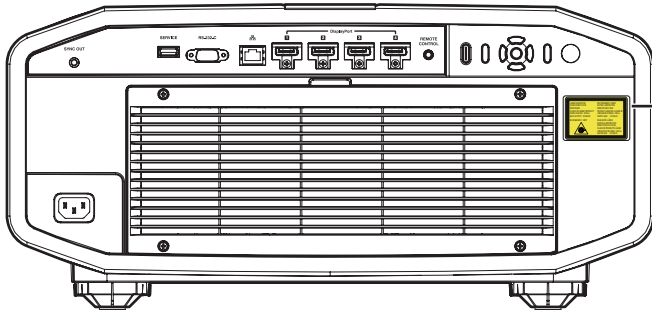
1) DLA-VS4550,
 DLA-VS4700



2) DLA-VS4600



Location information of the labels

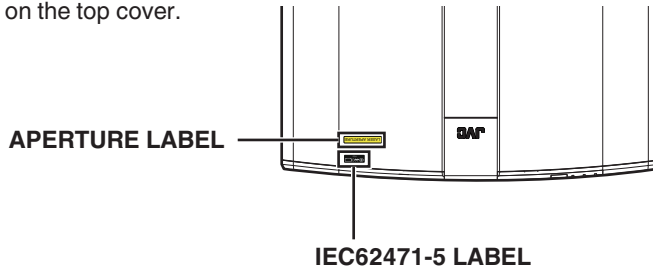


LASER CAUTION LABEL

APERTURE LABEL



The APERTURE LABEL is located on the top cover.



APERTURE LABEL

IEC62471-5 LABEL

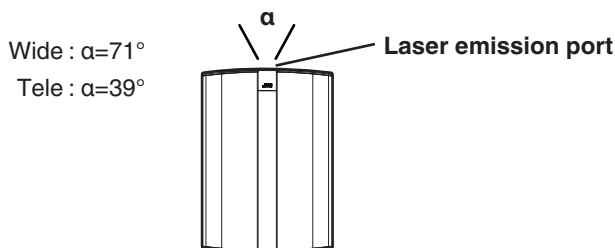
WARNING

LASER RADIATION AVOID DIRECT EYE EXPOSURE CLASS 3R LASER PRODUCT.

CAUTION

- Do not look into the lens while in use.
- Light source specifications
- 30 W Laser diodes x6
- Wavelength 450 - 460 nm
- Maximum output is 64.12 W

Beam divergence angle from lens of this unit



For the customers In other countries

CLASS 1 LASER PRODUCT

LASER CAUTION LABEL



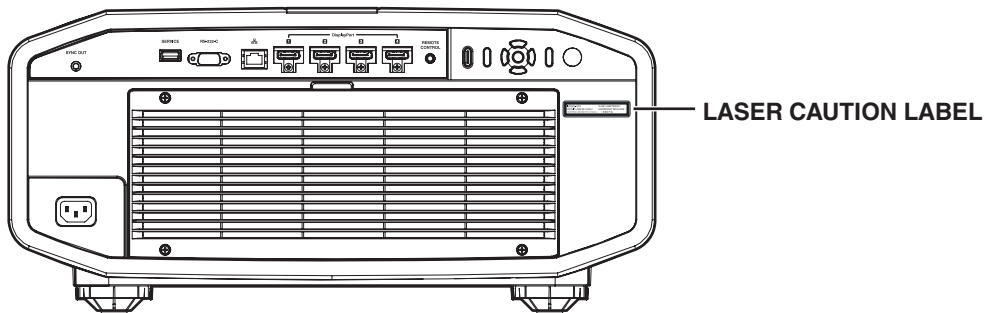
WARNING

Do not look into the lens while in use.

CAUTION

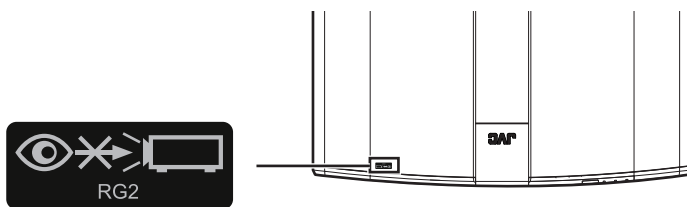
Use of controls or adjustments or performance of procedures other than those specified herein may result in hazardous radiation exposure.

Location information of the labels



IEC62471-5

Location information of the labels



As with any bright light source, do not stare into the beam, RG2 IEC 62471-5:2015

For the customers In China

安全注意事项 SAFETY PRECAUTIONS

在中国销售时 电源线是另外销售的 适合这个设备的电源线是 10A/250V 规格的电源线
请不要使用附带的电源线

When used in China, the power cord is sold separately. A suitable power cord for this equipment is 10 A / 250 V rated. Please do not use bundled power cords.

《电子信息产品污染控制管理办法》规定的内容

关于环保使用期限



环保使用期限

- 此图标表示了中国《电子信息产品污染控制管理办法》规定的环保使用期限。只要用户在使用本产品时遵守注意事项中的各项规定，从制造日期开始到此图标标出的期限为止（环保使用期限）既不会污染环境也不会产生对人体有害的物质。
- 附件和消耗性零件的环保使用期限如下所示：
（不同产品中包含的附件和消耗性零件也不相同。）
遥控器、电缆类：10年

关于产品中的有毒、有害物质

部件名称	有毒有害物质或元素					
	铅 (Pb)	汞 (Hg)	镉 (Cd)	六价铬 (Cr(VI))	多溴联苯 (PBB)	多溴二苯醚 (PBDE)
线路板组件	X	○	○	X	○	○
机箱	X	○	○	X	○	○
光学系统	X	○	○	X	○	○
其他附件	X	○	○	X	○	○

本表格依据 SJ/T 11364 的规定编制。

○：表示该有害物质在该部件所有均质材料中的含量均在 GB/T 26572 规定的限量要求以下。

X：表示该有害物质至少在该部件的某一均质材料中的含量超出 GB/T 26572 规定的限量要求。

Contents

Getting Started

Safety Precautions	2
Accessories/Optional Accessories	11
Check the Accessories	11
Controls and Features	12
Main Unit - Front	12
Main Unit - Bottom	12
Main Unit - Rear	13
Main Unit - Input Terminals	14
Remote Control	15
Loading Batteries into the Remote Control	16
Effective Range of Remote Control Unit	16
Menu	17







Set up

Installing the Projector	18
Precautions during Installation	18
Precautions during Mounting	19
Adjusting the Position	21
Connecting the Projector	22
Connecting to the DisplayPort Terminals	22
Connecting to the LAN Terminal	22
Connecting to the RS-232C Terminal	23
Connecting to the REMOTE Terminal	23
Connecting the Power Cord (Supplied Accessory)	23

Operate

Viewing Videos	24
----------------------	----

Adjust/Set

Adjustments and Settings in the Menu	26
List of Menu Items	26
 Picture Adjust	28
 Input Signal	33
 Installation	35
 Display Setup	43
 Function	44
 Information	46

Maintenance

Maintaining the Cabinet and Remote Control	47
Cleaning and Replacing the Filter	47
Long term storage of projector	48
About the Lens	49
Mounting the Lens	49

Troubleshooting

Troubleshooting	52
When the Following Messages Appear... ..	55

Others

External Control	56
RS-232C Specifications	56
TCP/IP Connection	56
Command Format	57
Remote Control Code	58
Communications Example	59
Specifications	60
Index	71

Symbols used in this manual

VS4550 indicates a function that is supported by DLA-
VS4550.

VS4600 indicates a function that is supported by DLA-
VS4600.

VS4700 indicates a function that is supported by DLA-
VS4700.

Items not marked with any of the above symbols are supported by all models.

Accessories/Optional Accessories

Check the Accessories

Remote control 1 piece

AAA-size batteries (for operational check) 2 pieces

Power cord (for USA) (about. 2 m) 1 piece

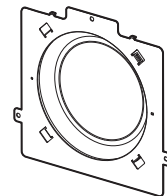
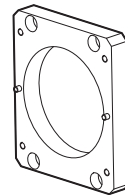
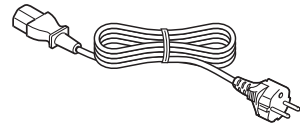
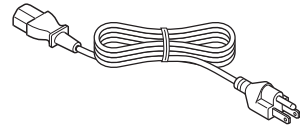
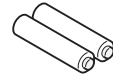
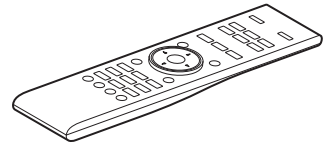
Power cord (for EU) (about 2 m) 1 piece

Lens spacer 1 piece

Screw 4 pieces

Sponge 1 piece

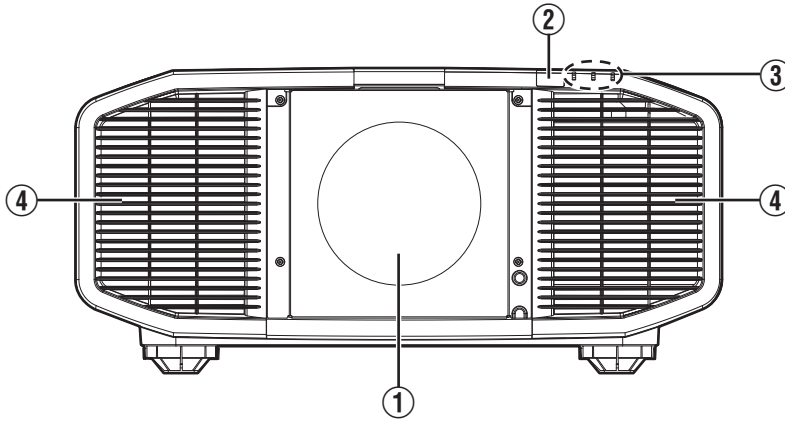
Front base 1 piece



- Other items include the instruction manual, warranty, and other printed materials.
- Be sure to read the “Safety Precautions” before using this projector.

Controls and Features

Main Unit - Front



① Lens (sold separately)

Zoom lens or short focal length lens is optional.

② Remote Sensor (front)

Please aim the remote control at this area when using it.

* There is also a remote sensor at the rear.

③ Indicator

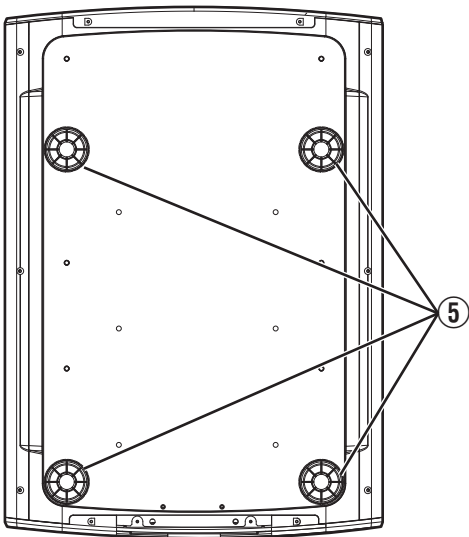
Refer to "Indicator Display on the Main Unit" P. 68.

④ Exhaust vent

Warm air is discharged to cool down the internal temperature.

Do not block the vents.

Main Unit - Bottom

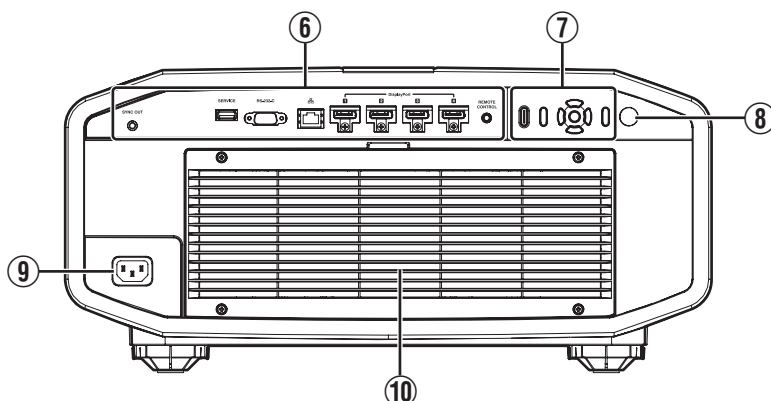


⑤ Feet

The height and angle of the projector can be adjusted by turning the foot. (0 to 5 mm) (P. 21)

When the foot is removed, it can be used as the mounting hole for the ceiling mount bracket.

Main Unit - Rear



⑥ Input terminals

For details on the terminals, refer to “Main Unit - Input Terminals” P. 14.

⑦ Operation panel

For more details, please refer to the “Operation panel” in the diagram below.

⑧ Remote Sensor (rear)

Please aim the remote control at this area when using it.

* There is also a remote sensor at the front.

⑨ Power input terminal

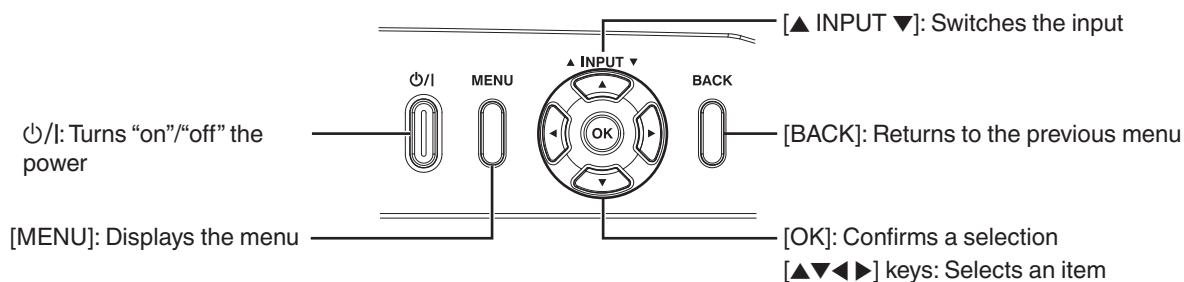
Connect the supplied power cord to this terminal.

⑩ Air Inlets

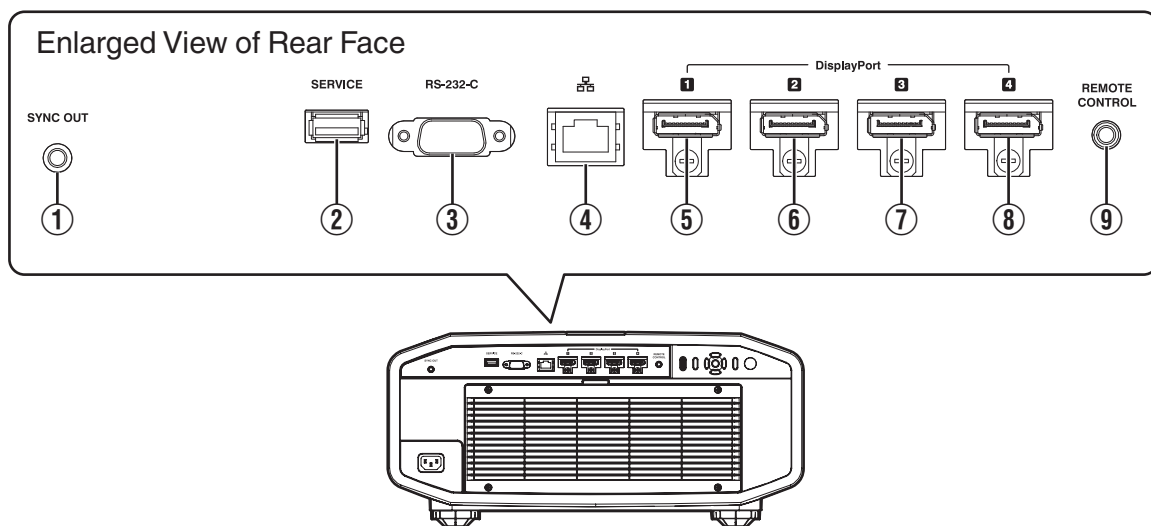
The inlets take in air to cool down the internal temperature.

Do not block the inlet. Do not blow hot air on the inlet. Doing so may cause the unit to malfunction.

Operation panel



Main Unit - Input Terminals



① [SYNC OUT] terminal

For synchronizing with other equipment.
Outputs L and R sync signals during 3D signal input.
(P. 34)

② [SERVICE] terminal

For updating the software using a commercially available USB flash drive.

③ [RS-232C] terminal (D-sub 9-pin male)

The projector can be controlled by connecting a PC to this terminal.

④ [LAN] terminal (RJ-45)

The projector can be controlled by connecting it to a PC through the computer network for control commands to be sent to the projector.

⑤ [DisplayPort 1] input terminal

⑥ [DisplayPort 2] input terminal

⑦ [DisplayPort 3] input terminal

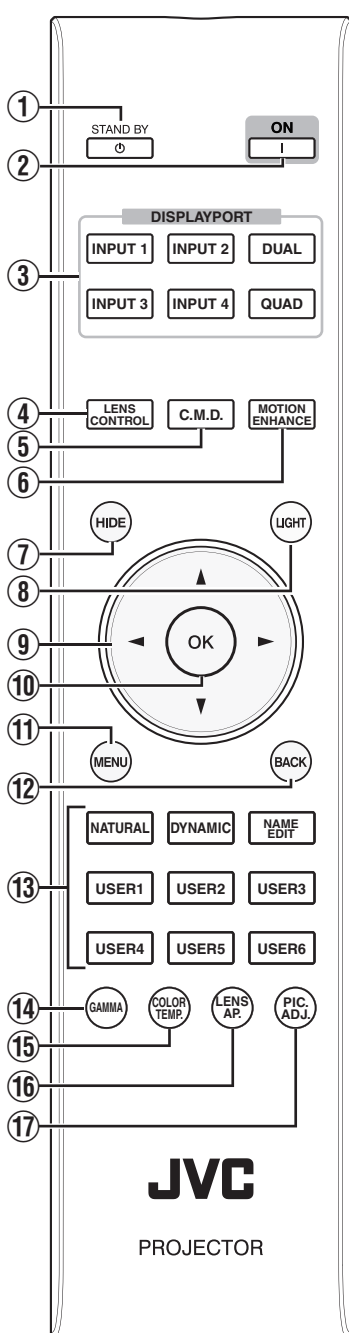
⑧ [DisplayPort 4] input terminal (20-pin male)

For connecting to devices that support DisplayPort output. (P. 22)

⑨ [REMOTE CONTROL] terminal (stereo mini jack)

This terminal is used to connect the remote control directly to the projector with the cable.

Remote Control



1 [STANDBY]

Turns off the power. (P. 25)

2 [ON]

Turns on the power. (P. 24)

3 [DISPLAYPORT]

Switches the input to [DisplayPort 1] to [DisplayPort 4], [Dual] or [Quad]. (P. 24)

4 [LENS CONTROL]

For adjusting focus, zoom, and shift. (P. 35)

5 [C.M.D.]

For setting frame processing. (P. 32)

- Pressing the button each time switches the mode in the following sequence: "Off" → "Mode 1" → "Mode 2" → "Mode 3"...

6 [MOTION ENHANCE]

Switches the Motion Enhance setting. (P. 32)

7 [HIDE]

Hides the image temporarily. (P. 24)

8 [LIGHT]

Illuminates the buttons on the remote control.

9 [▲▼◀▶] keys

For selecting an item.

10 [OK]

Confirms a selected item.

11 [MENU]

Displays the menu, or hides the menu if it is displayed.

12 [BACK]

Returns to the previous menu.

13 [PICTURE MODE]

Switches the picture mode. (P. 28)

- Press [NATURAL], [DYNAMIC] or [USER1] to [USER6] to switch to the respective picture mode.
- Pressing [NAME EDIT] enables the name of the picture mode from [USER1] to [USER6] to be edited.

14 [GAMMA]

Switches the gamma. (P. 31)

- Pressing the button each time switches the configurable gamma in sequence.

15 [COLOR TEMP.]

Switches the color temperature. (P. 30)

- Pressing the button each time switches the configurable color temperature in sequence.

16 [LENS AP.]

For setting the aperture. (P. 28)

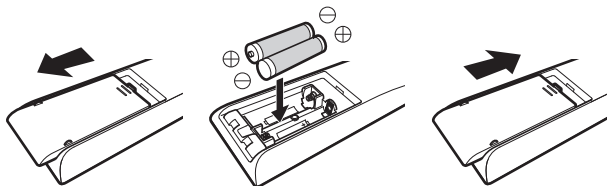
17 [PIC. ADJ.]

Displays the picture quality adjustment gauge. (P. 32)

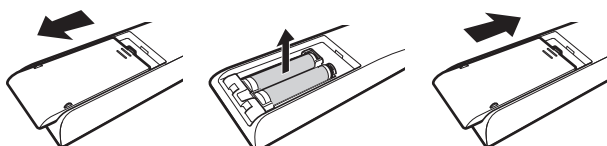
- Pressing the button each time displays the adjustment gauge in the following sequence: "Contrast" → "Brightness" → "Color" → "Tint" → "Sharpness" → "LD Current" → "Aperture" → "Picture Tone" → "Dark Level" → "Bright Level".

Loading Batteries into the Remote Control

Loading the batteries



Removing the batteries

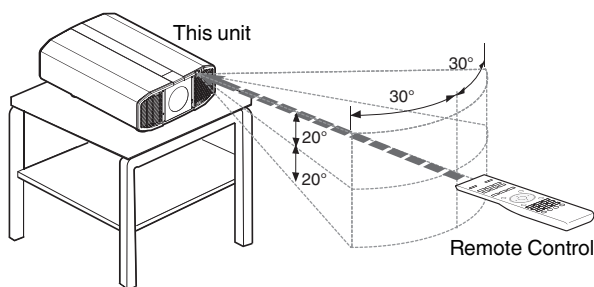


- If the remote control has to be brought closer to the unit to operate, it means that the batteries are wearing out. Replace the batteries with new ones (AAA).
- Insert the batteries according to the \oplus \ominus marks. Be sure to insert the \ominus end first. When removing the battery, do so from the \oplus end.
- If an error occurs while using the remote control, remove the batteries and wait for five minutes. Load the batteries again and operate the remote control.

Effective Range of Remote Control Unit

When aiming the remote control toward the sensor on this unit (front or rear), ensure that the distance to the sensor is within 7 m.

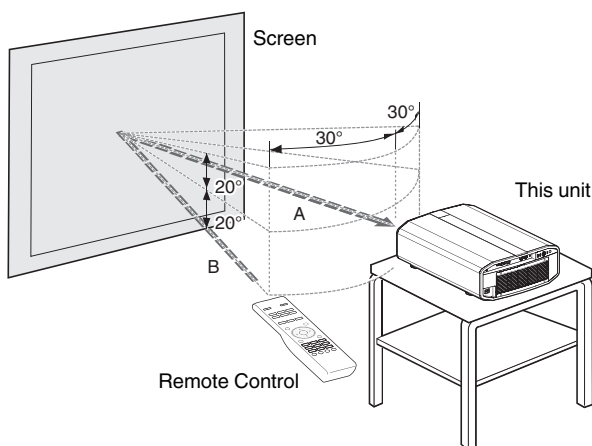
If the remote control fails to work properly, move closer to this unit.



Control through reflection off a screen, etc.

Ensure that the total of distance A (between this unit and the screen) and distance B (between the remote control and the screen) is within 7 m.

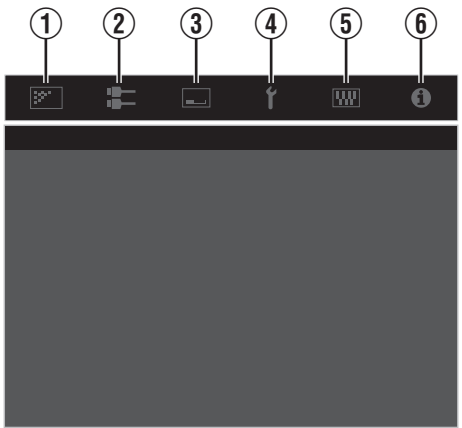
* As the efficiency of signals reflected from the remote control unit varies with the type of screen used, the operable distance may decrease.



CAUTION

- Do not put the remote control in a place with an exposure to direct sun light or high temperature. It may be deformed due to heat, or the internal components may be adversely affected resulting in fire hazard.
- Remove the batteries from the remote control when storing the remote control. Storing the remote control for a prolonged period without removing the batteries can cause battery leakage.

Menu



Select the icon at the top of the menu to display its corresponding setting item as shown below.

① Picture Adjust



② Input Signal



③ Installation



④ Display Setup



⑤ Function



⑥ Information



Installing the Projector

Precautions during Installation

Please read the following carefully before installing this unit.

When carrying this unit

This unit is heavy in weight. Please ensure that there are at least two persons carrying it.

Do not install at the following

This unit is a precision device. Please refrain from installing or using it at the following locations. Otherwise, it may cause fire or malfunction.

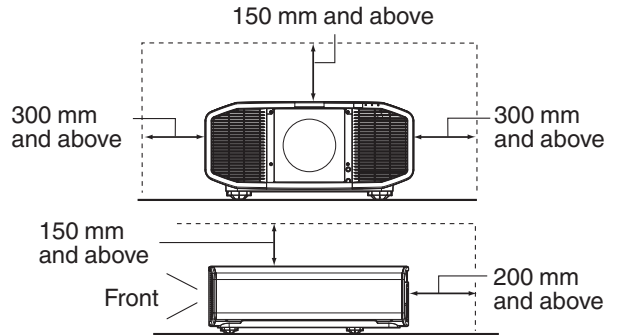
- Dusty, wet and humid places
- Places subject to oily smoke or cigarette smoke
- On top of a carpet or bedding, or other soft surfaces
- Places exposed to direct sunlight
- Places with a high or low temperature
- Do not install this unit in a room that is oily or subject to cigarette smoke. Even a small quantity of smoke or oiliness can have a long-term impact on this unit.
- * This unit produces a great amount of heat, and is designed to take in cool air to cool its optical components. Using the unit at the above locations may cause dirt to attach to the light path, thereby resulting in dark images or dull colors.
- * Dirt that sticks to the optical components cannot be removed.

Using the projector

There is no particular limitation on the positioning of the projector during installation. You can install at your preferred angle.

Maintain clearance from the wall, etc.

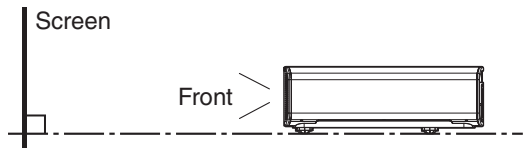
As the unit discharges a large amount of heat, install it with adequate clearance from the surroundings as shown below.



Leave the front area of the unit unblocked. If there is any obstructing object in front of the exhaust vent, hot air will flow back to the unit and cause it to heat up. Hot air flowing out of the unit may cast shadows on the screen (heat haze phenomenon).

Installing the screen

Install the unit and the screen such that they are perpendicular to each other.



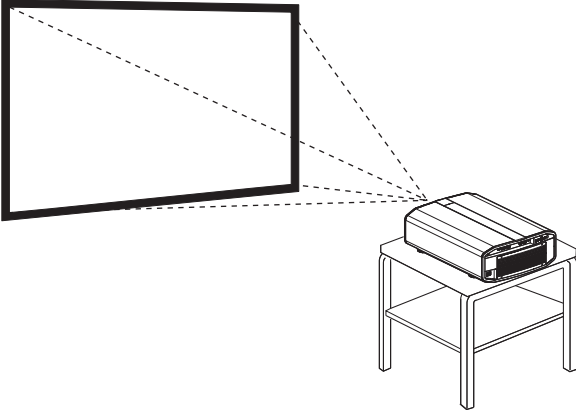
- Please choose a screen material with non-uniform patterns. Uniform patterns such as checks may cause interference patterns to occur.
- In this case, you can change the size of the screen to make the interference patterns less noticeable.

Using the projector at a high altitude

When using this unit at a location that is higher than 900 m above sea level (low air pressure), set the "High Altitude Mode" to "On". (P. 43)

Precautions during Mounting

Securing (mounting) the projector



- When this unit is to be mounted to a fixed position for use, install it horizontally.
- Make sure to secure the main unit to prevent accidents such as during an earthquake.

Securing the projector (directly mount)

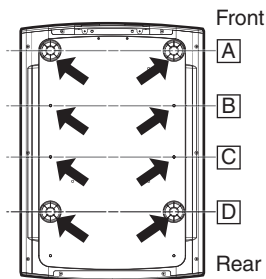
For directly mounting projectors to a stand for motion or non-motion systems, remove the four feet from the base of the projector and use the inner six mounting screw holes (see pictures below).

CAUTION

Use **ONLY** the fixing screws specified for mounting the projector. Using any screws other than those specified can cause damage and malfunction to the projector. **NEVER** insert the four outer feet into the inner screw holes, as the length of the screws are too long and will cause damage to the unit. If the mounting instructions are not followed, issues or failure can occur.

Non-Motion Applications

Outer 4 screw holes can be used

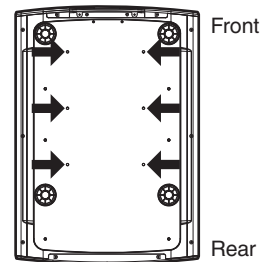


Screw Specifications

- M5 (screw pitch 0.8)
- The screw length into the body of the projector must not exceed 15 to 25mm.
- The length of the screw will be determined by the depth of the projector mounting plate.
Example - If the plate is 5mm thick a screw between 20 to 30mm must be used.
- Torque 1.5Nm to 2.0Nm.
- Do not use 2 adjacent locations (A+B, B+C, C+D, D +E) only.

Motion Applications

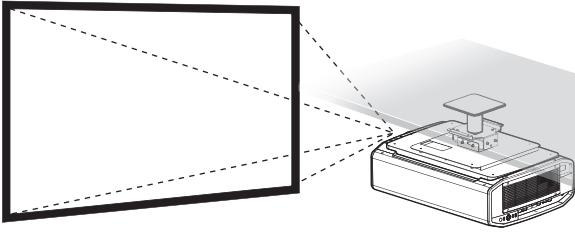
Inner 6 Screw holes must be used



Screw Specifications

- M5 (screw pitch 0.8)
- The screw length into the body of the projector must not exceed 17 to 25mm.
- The length of the screw will be determined by the depth of the projector mounting plate.
Example - If the plate is 5mm thick a screw between 22 to 30mm must be used.
- Torque 1.5Nm to 2.0Nm.

Securing the projector (ceiling mount)



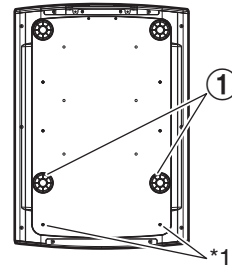
- Be sure to ask your dealer to install the unit for you. Installing the unit on your own may cause the unit to fall resulting in injury.
- Take the necessary actions to prevent the main unit from falling off such as during an earthquake.
- Regardless of the warranty period, JVC is not liable for any product damage caused by mounting the unit with non-JVC ceiling fittings or to an environment that is not suited for ceiling mount.
- When using the unit with it suspended from a ceiling, pay attention to the surrounding temperature. When a heater is in use, the temperature around the ceiling may be higher than expected.
- To attach the unit to the ceiling mount bracket, set the torque between the range of 1.5N m to 2.0N m. Tightening with torque exceeding the above range may cause damage to the unit, which may result the unit to fall.
- When reusing the ceiling mount bracket of an old model, consult the specialist to check if there are any issues with the surrounding space and increase in weight.
- Install the outlet at an accessible height to unplug from the wall. Or install the circuit breaker at an accessible height to shut down the projector. If you need information, please consult your authorized dealer or specialist.

Installing the ceiling mounting bracket

- ① Remove the rear foot (x2).

- The removed feet can be installed to the rear holes. (*1)
- It is not necessary to remove the front feet. However, it will not pose any usage problems even when they are removed.

Front

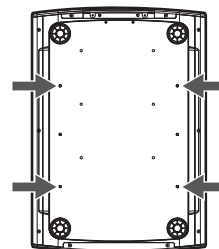


Rear

- ② Install the ceiling mounting brackets to the screw holes indicated by the arrows.

- Use screws that meet the specification.
- For details, contact your authorized dealer.

Front



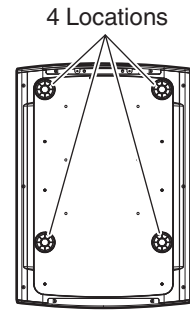
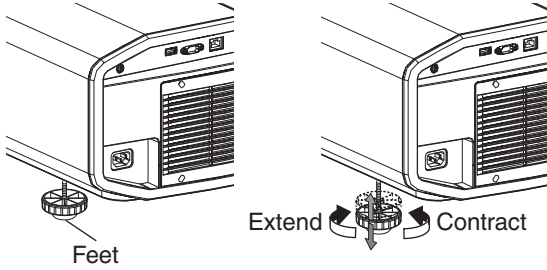
Rear

Adjusting the Position

Adjusting the elevation angle of the projector

The height and inclination of the unit (0 to 5 mm) can be adjusted by turning the feet.

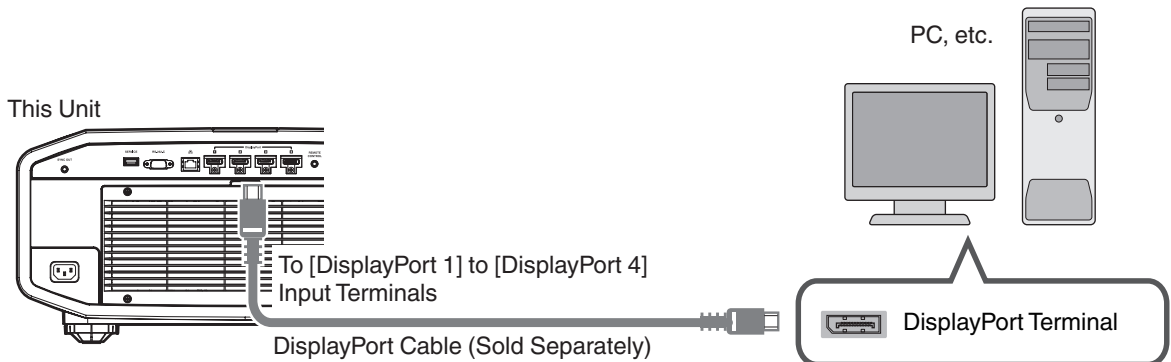
Lift the unit and adjust the four feet.



Connecting the Projector

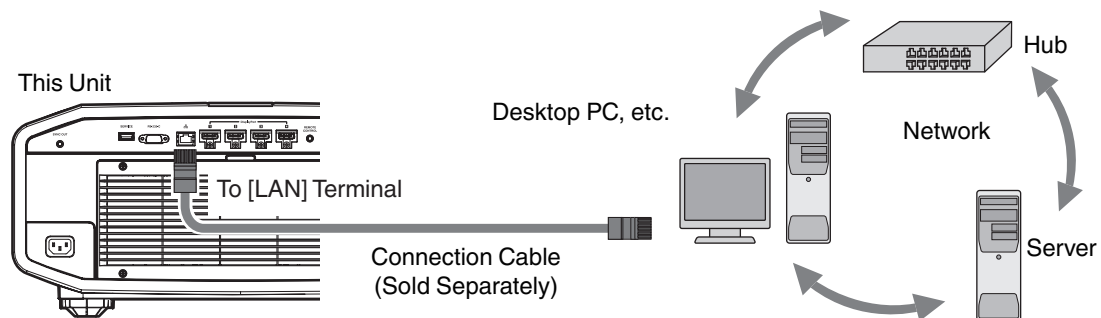
- Do not turn on the power until connection is complete.
- The connection procedures differ according to the device used. For details, please refer to the instruction manual of the device to be connected.
- This projector is used for projecting images. To output the audio of connected devices, please connect a separate audio output device, such as an amplifier or speaker.
- Some cables cannot be connected to this unit due to the size of their connector cover.

Connecting to the DisplayPort Terminals



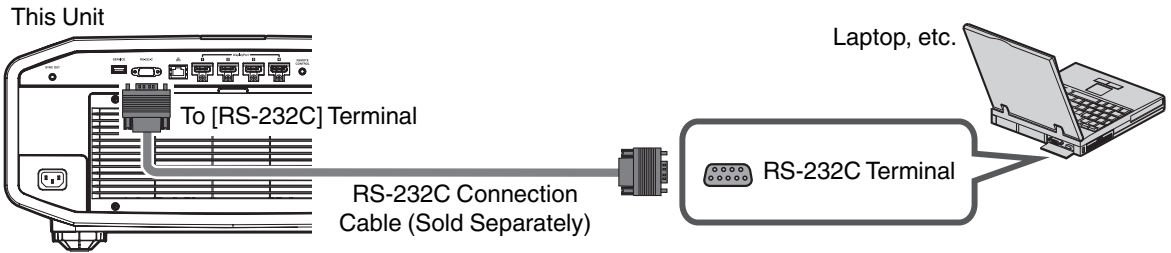
- For single-channel input signals, connect to one of the [DisplayPort 1], [DisplayPort 2], [DisplayPort 3] or [DisplayPort 4] input terminals.
- For two-channel input signals, connect to the [DisplayPort 1] and [DisplayPort 3] input terminals.
- For four-channel input signals, connect to the [DisplayPort 1] to [DisplayPort 4] input terminals.
- ➔ "Types of Possible Input Signals" (P. 63)
- Video images may not appear if a cable that does not support HBR2 is used. Use a cable that supports HBR2.
- When disconnecting the DisplayPort cable, make sure to release the latch and unplug the cable.

Connecting to the LAN Terminal



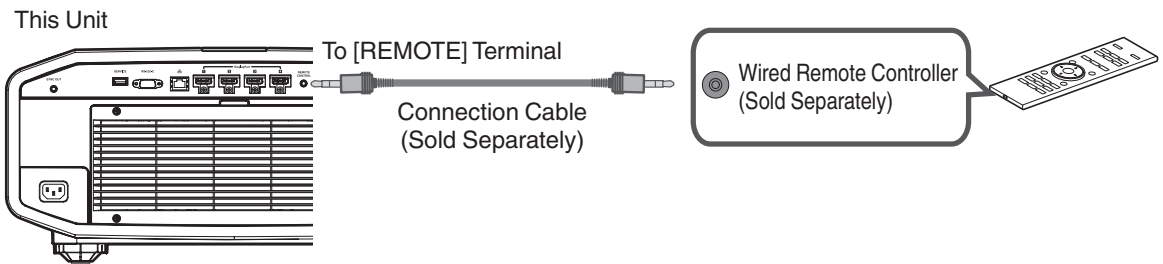
- The network is used to control this unit. It is not used for sending or receiving video signals.
- Please contact your network administrator for information concerning the network connection.
- For more information on control, please refer to "External Control" P. 56.

Connecting to the RS-232C Terminal



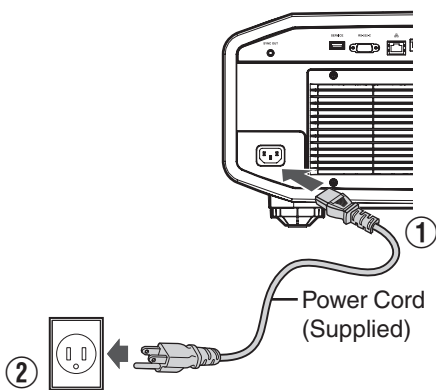
- For more information on control, please refer to “External Control”P. 56.

Connecting to the REMOTE Terminal



- For more details on the wired remote controller and connection cable, please consult your dealer.

Connecting the Power Cord (Supplied Accessory)

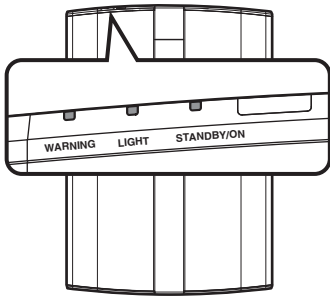


- ① Connect the power cord supplied to the power input terminal on the main unit
- ② Insert the supplied power plug into the wall outlet.

⚠ Precautions to prevent fire and electric shock

- The power consumption of this unit is large. Please connect it directly to the wall outlet.
- When you are not using the projector, please unplug the power cord from the outlet.
- Connect it using only the power cord supplied.
- Do not use a voltage other than the indicated power voltage.
- Do not damage, break or modify the power cord. Do not place a heavy object on the power cord, or heat or pull it. Doing so may damage the power cord.
- Do not unplug the power cord with wet hands.

Viewing Videos



MEMO

- Connect the power cord, and ensure that the “STANDBY/ON” indicator lights up in red.

1 Turn on the power

Remote control: press the **I** [ON] button

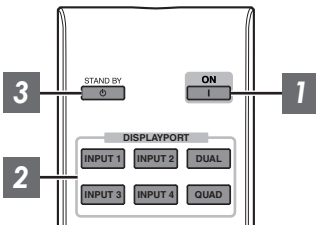
Projector unit: press the **⏻** button

“STANDBY/ON” lights up (red)
In standby state

“STANDBY/ON” lights up (green)
When LD block is starting up



Remote Control



2 Choose the image to project

Remote control:

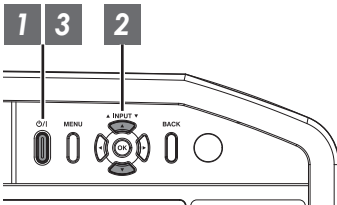
Button	Terminal
[INPUT 1]	DisplayPort 1
[INPUT 2]	DisplayPort 2
[INPUT 3]	DisplayPort 3
[INPUT 4]	DisplayPort 4
[DUAL]	Dual (*1)
[QUAD]	Quad (*2)

*1, *2: Refer to “Types of Possible Input Signals”P. 63

Projector unit: press the [INPUT] button to switch the input

- Play back the selected device to project the image.

This unit



To hide the image temporarily

Press the [HIDE] button on the remote control

- The “STANDBY/ON” indicator light starts to blink in green. When “LED Indication” is set to “Off”, the indicator does not blink.
- Press the [HIDE] button again to resume display of the image.
- The power cannot be turned off when the image is temporarily hidden.

3 Turn off the power

Remote control: press the ⏻ [STANDBY] button

Projector unit: press the ⏻/I button

- While the “Are you sure you want to turn off?” message is displayed, press the button again.
- The light of the LD block goes off, and the “STANDBY/ON” indicator switches from a green light to a red blinking light.
- After the light goes off, the fan will run for about 10 seconds to cool down the LD block (Cool-down mode). Do not disconnect the power cable while cooling is in progress.
- After about 10 seconds, the “STANDBY/ON” indicator switches from a blinking red to a solid red light.

“STANDBY/ON” blinking (red)
In the Cool-down mode



“STANDBY/ON” lights up (red)
In standby state



CAUTION

- The power cannot be turned off within approximately 30 seconds after it has been turned on.
- The power cannot be turned on again while cooling is in progress (10 seconds).
- Pull out the power plug when the unit is not to be used for a prolonged period of time.
- If the indication of indicator differs from the description, refer to “Indicator Display on the Main Unit”P. 68 for details.

Adjustments and Settings in the Menu

Pressing the [MENU] button displays the menu.

Press the [▲▼◀▶] keys to select an item, followed by pressing the [OK] button to confirm the selection.

List of Menu Items

Picture Adjust

▶ Picture Mode	P. 28
↳ Sharpness	P. 28
↳ FEDLC	P. 28
↳ Auto Intensity	P. 28
↳ LD Current	P. 28
↳ Aperture	P. 28
↳ User Name Edit	P. 29
▶ Color Management	P. 29
▶ Color Temp.	P. 30
▶ Gamma	P. 31
▶ e-shift VS4700	P. 31
▶ Blur Reduction	P. 32
↳ Clear Motion Drive	P. 32
↳ Motion Enhance	P. 32
▶ Contrast	P. 32
▶ Brightness	P. 32
▶ Color	P. 32
▶ Tint	P. 32

Input Signal

▶ Input Level	P. 33
▶ Color Space	P. 33
▶ Channel Hide	P. 33
▶ 3D Setting	P. 34

Installation

▶ Lens Control	P. 35
↳ Focus	P. 35
↳ Zoom	P. 35
↳ Shift	P. 35
↳ Image Pattern	P. 35
▶ Pixel Adjust	P. 36
↳ Adjust	P. 36
↳ Adjust Area	P. 36
↳ Adjust Color	P. 36
↳ Adjust Pattern	P. 36
↳ Adjust Pattern Color	P. 36
↳ Adjust (Pixel)	P. 36
↳ Adjust (Fine)	P. 36
↳ Reset	P. 36
▶ Mask	P. 40
▶ Distortion Correction	P. 40
▶ Edge Blending	P. 42
▶ Installation Style	P. 42
▶ LED Indication	P. 43
▶ High Altitude Mode	P. 43

Display Setup

▶ Back Color	P. 43
▶ Menu Position	P. 43
▶ Signal Display	P. 43
▶ Logo	P. 43

Function

▶ Sync Out	P. 44
▶ Off Timer	P. 44
▶ Network	P. 44
▶ Remote Code	P. 45
▶ Hide Mode	P. 45
▶ Software Update	P. 45

Information

▶ Information	P. 46
---------------------	-------



Picture Adjust

Picture Mode

You can adjust the image quality according to the type of video image you are viewing.

Setting	Description
Natural	Image quality that focuses on natural color and gradation reproduction. Suitable for displaying video images in general.
Dynamic	This is the picture setting best suited for viewing the picture in a room that cannot be made completely dark.
User 1 to User 6	Enables user-defined image quality data to be saved and retrieved.

You can configure the following setting items by pressing the [MENU] button to display the menu, followed by selecting "Picture Adjust" → "Picture Mode" and pressing the [OK] button.

Sharpness

The sharpness of the image can be adjusted.

- Setting: 0 (low sharpness) to 50 (high sharpness)

FEDLC

Expands the dynamic range by controlling the LD current based on information superimposed on the image data.

Setting	Description
Off	Deactivates the function. LD current is the value configured in "LD Current" or the current value controlled by "Auto Intensity".
On	Activates the function.

* This item cannot be set when "Auto Intensity" is set to "On".

Auto Intensity

Controls the LD current value to maintain the projector brightness at a constant level.

Setting	Description
Off	Light intensity is manually set.
On	Light intensity will be constant.

* If the "Aperture" setting is changed, the light intensity does not remain constant even when "On" is set.

* This item cannot be set when "FEDLC" is set to "On".

LD Current

Controls the brightness of the light source by controlling the LD current.

- Setting range: 38 to 100
- * This function is disabled when "Auto Intensity" is set to "On" or when "FEDLC" is set to "On".

Aperture

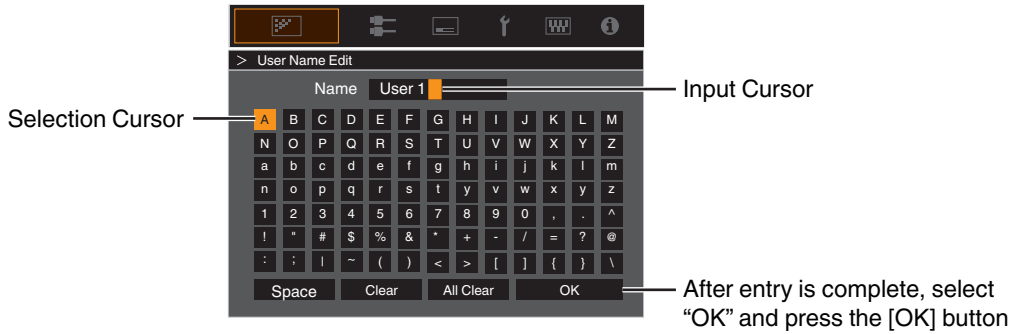
For changing the brightness through controlling the aperture.

- Setting range: -7 (stops down) to 0 (opens up)

User Name Edit

You can edit the “User 1” to “User 6” names in the Picture mode.

- Characters that are usable include alphabets (upper or lower case), numeric characters, and symbols.
- Enter not more than 10 characters.



Color Management

Each of the colors is adjustable according to the user’s preference.

- 1 Select the “Picture Adjust” → “Color Management” menu, and press the [OK] button.
- 2 Set “Color Management” to “On”, and press the [OK] button
- 3 Adjust to the preferred color

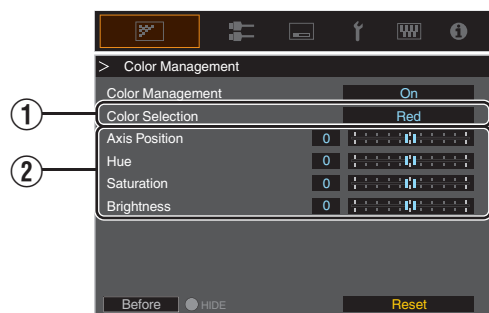
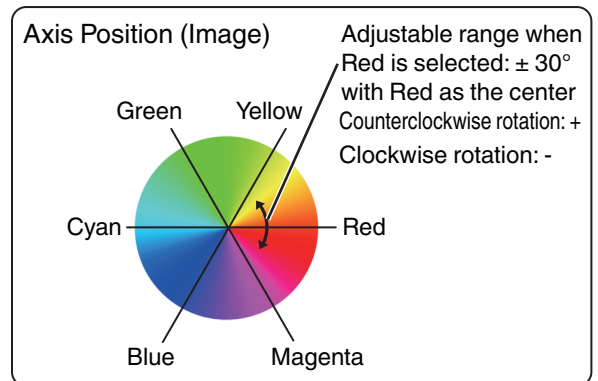
- 1 Select “Color Selection”, and press the ◀▶ keys to select the color to adjust

- For color adjustment, select the color from the following: “Red”, “Yellow”, “Green”, “Cyan”, “Blue”, “Magenta”.

- 2 Adjust the selected color

Item	Setting Range	Description
Axis Position	-30 to 30	Fine-tune the position of the central axis of the selected color.
Hue	-30 to 30	Adjusts the hue (color tone).
Saturation	-30 to 30	Adjusts the color saturation (vividness). -30 (dull) to +30 (vivid)
Brightness	-30 to 30	Adjusts the brightness. -30 (dark) to +30 (bright)

- Selecting “Reset” resets all the adjustment data.
- Pressing the [HIDE] button on the remote control enables you to check the image before adjustment. Press the [HIDE] button again to return to the adjustment screen.



- 4 Press the [MENU] button to exit

Color Temp.

For setting the color temperature of the video image.

- The selectable “Color Temp.” settings vary according to “Picture Mode”.

“Color Temp.”

Color Temp.	Description
5500K	Increasing the value enhances the blue tone of the video image, while decreasing the value enhances the red tone.
6500K	
9500K	
High Bright	Color temperature that gives priority to brightness.
Custom 1 to Custom 2	The color temperature of video images can be adjusted manually and saved as one of the three customized settings.

List of selectable “Color Temp.” according to “Picture Mode”

Picture Mode	Color Temp.
Natural User 1 to User 6	5500K
	6500K
	9500K
	High Bright
	Custom 1 to Custom 2
Dynamic	High Bright

Correction Value

For setting the base color temperature for the adjustment of “Gain Red” / “Gain Green” / “Gain Blue” / “Offset Red” / “Offset Green” / “Offset Blue” when one of the “Custom 1” to “Custom 2” setting is selected in “Color Temp.”.

- The selectable correction values vary according to “Picture Mode”. (Refer to the table below.)

List of selectable “Correction Value” according to “Picture Mode”

Picture Mode	Correction Value
Natural User 1 to User 6	5500K
	6500K
	9500K
	High Bright
Dynamic	Not selectable

Gain Red / Gain Green / Gain Blue

Adjusts each color in the bright parts of the video image.

- Setting range: -255 (reduces the red/green/blue tone) to 0 (no adjustment)

Offset Red / Offset Green / Offset Blue

Adjusts each color in the dark areas of the video image.

- Setting range: -50 (reduces the red/green/blue tone) to 0 (no adjustment) to +50 (enhances the red/green/blue tone)
- Setting “Color Temp.” to “Custom 1” or “Custom 2” allows you to select and adjust a base correction value (initial value) for adjustment.

Gamma

You can adjust the output value of the projected image with respect to the video signal input.

“Gamma”

Gamma	Description
2.2	The gamma is set to “2.2”.
Custom 1 to Custom 3	Enables fine adjustment of gamma according to preference.

You can perform fine adjustments based on the selected gamma adjustment setting.

Adjustment item and its setting

Item	Description	Setting
Color Selection	For selecting the color for adjusting “Picture Tone”, “Dark Level” and “Bright Level”.	White / Red / Green / Blue
Picture Tone	Adjusts the overall brightness automatically for a well-balanced result without compromising the gradation of the image.	-16 (darkens image for an underexposed effect) to +16 (brightens image for an overexposed effect)
Dark Level	Adjusts the dark areas of the input image. • To do so, use the ◀▶ keys to move the cursor.	-7 (darkens the shadows) to +7 (brightens the shadows)
Bright Level	Adjusts the bright areas of the input image. • To do so, use the ◀▶ keys to move the cursor.	-7 (darkens the highlights) to +7 (brightens the highlights)

Selecting the Base Correction Value (Initial Value) for Adjustment

- Selecting one of the “Custom 1” to “Custom 3” settings in “Gamma” allows you to select the “Correction Value”.
- Select the base “Correction Value” for adjustment using the ◀▶ keys.

When “Correction Value” is set to “Import”

- By selecting “Import” for “Correction Value”, the gamma data created externally can be selected as the base setting value for adjustment.
- The factory setting for “Import” is “2.2”.
- You can use the calibration software to customize the gamma data adjustment, and import the created gamma data.

Please check with your authorized dealer for details.

e-shift V54700

For switching to the e-shift function and adjusting the sharpness.

Setting	Description
Off	Deactivates e-shift. (4K display)
On (Positive)	Activates e-shift. (8K e-shift display)
On (Negative)	Operates e-shift in a phase opposite to “On (Positive)”. (8K e-shift display)
On (FEDEC)	Synchronizes the e-shift operation with the FEDEC information. (8K e-shift display)

- The setting is fixed at Off under the following input signal conditions.
 - When “3D” is selected in the “3D Setting”
 - During single-channel input
 - When the input signal of Dual - stripes is other than 3840 (4096) x 2160 at 120 Hz
 - When the input signal of Quad - stripes or Quad - cross is at 60 Hz

Blur Reduction

For reducing the after-image, which occurs in a fast-moving scene.

- Blur Reduction is grayed out and cannot be adjusted when signal is out of range or during 3D input detection.

Clear Motion Drive

For reducing the after-image, which occurs in a fast-moving scene.

- Pressing the [C.M.D.] button each time switches the mode in the following sequence: “Off” → “Mode 1” → “Mode 2” → “Mode 3” → “Off”...

* C.M.D. is the abbreviation for Clear Motion Drive.

Setting	Description
Off	Doubles the frame rate of the input image by drawing the original image twice.
Mode 1	Displays the image as it is at the frame rate of the input image.
Mode 2	Displays the image as it is at the frame rate of the input image. Applies black insertion to reduce blurriness in the video images.
Mode 3	Reduce blurriness in the video image by applying black insertion to the Off mode.

Motion Enhance

You can reduce motion blur with this function enhancing the response of D-ILA image devices.

If the image outline is unnatural, set this item to “Off”.

Setting	Description
Off	Does not perform correction.
On	Reduces image blurring.
Gain	When Motion Enhance is set to “On”, the overall intensity is adjusted using Gain, while adjustment of each color is performed using Red/Green/Blue.
Red	
Green	
Blue	

Contrast

For adjusting the white level point to avoid clipping or over saturation.

- Setting range: -50 (little difference in brightness) to +50 (large difference in brightness)

Brightness

For adjusting the black level point to avoid clipping or over saturation.

- Setting range: -50 (darker) to +50 (brighter)

Color

For adjusting the color density of the video image.

- Setting range: -50 (lighter) to +50 (deeper)

Tint

For adjusting the hue of the video image.

- Setting range: -50 (reddish) to +50 (greenish)



Input Signal

Input Level

For setting the dynamic range (gradation) of the video input.

- If the dynamic range is not appropriate, the bright areas become overexposed, and the dark areas become underexposed.

Setting	Description
16-235 (Video)	Select this setting if you are inputting video signals (dynamic range: 16 - 235).
0-255 (PC)	Select this setting if you are inputting PC signals (dynamic range: 0 - 255).

Color Space

For setting the color space of the input signal.

Setting	Description
YCbCr444	Select this setting when inputting YCbCr (4:4:4) video signals.
YCbCr422	Select this setting when inputting YCbCr (4:2:2) video signals.
RGB	Select this setting when inputting RGB video signals.

Channel Hide

A function for configuring whether to display video images for each DisplayPort input terminal.

Setting	Description	
DP 1	Off	Displays video images with the Hide function disabled.
DP 2	On	Enables the Hide function and does not display video images.
DP 3		
DP 4		

3D Setting

For performing 3D settings.

3D Format

For selecting the method to detect 3D signal.

When "3D" is selected, the L and R sync signals are output from the Sync Out terminal. (P. 14)

Setting	Description
2D	Detects the input signal as 2D signal.
3D	Detects the input signal as 3D signal.

Crosstalk Cancel

This is the function to correct the crosstalk between the left and right images.

- Setting range: -8 to 8

Polarity

This is the function to switch the signal polarity output from Sync Out for synchronizing the glasses.

Setting	Description
Positive	Sets the signal polarity for synchronization to positive.
Negative	Sets the signal polarity for synchronization to negative.

Sync Phase

This is the function to adjust the signal phase output from Sync Out for synchronizing the glasses.

- Setting range: 0 (0°) to 18 (180°)

Installation

Lens Control

Focus / Zoom / Shift

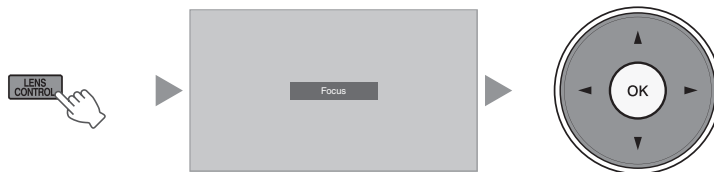
For adjusting the lens according to the projection position

MEMO

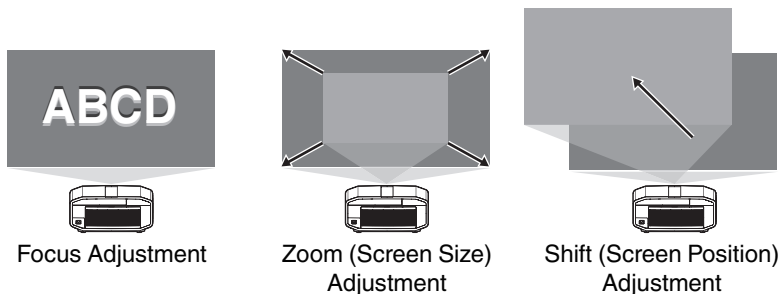
To use the Shift function, a motorized lens shift unit is required. For details on installing the motorized lens shift unit (sold separately), refer to the instruction manual of the motorized lens shift unit.

Motorized lens shift unit (product no.: PK-MLS01)

- 1 Press the [LENS CONTROL] button, and use the [▲▼◀▶] keys to adjust Focus, Zoom (screen size), and Shift (screen position)



- Pressing the [LENS CONTROL] or [OK] button each time switches the mode in the following sequence: “Focus” → “Zoom” → “Shift” → “Focus”...



- If the driving range of the motorized lens shift unit is exceeded, the projected screen cannot be shifted anymore when the lens reaches the end.
- Pressing and holding the [▲▼◀▶] keys continuously after the projected screen cannot be shifted anymore will overload the motor causing malfunction.

- 2 Press the [MENU] button once, or the [BACK] twice, to end adjustment

Image Pattern

For setting whether to display the lens adjustment pattern.

Setting	Description
Off	Displays external signals, and does not display the lens adjustment pattern.
On	Displays the lens adjustment pattern.

Pixel Adjust

For correcting the phase shifting between each RGB color by adjusting the pixel.

Adjust

For setting the adjustment feature to On or Off.

Adjust Area

Setting	Description
Whole	Adjusts the entire image.
Zone	Enables fine adjustment of each area by dividing the screen evenly into 10 vertical and horizontal zones.

Adjust Color

For selecting the color to adjust (“Red” or “Blue”).

Adjust Pattern

Setting	Description
Off	Displays the external signals without displaying the test pattern for adjustment.
On	Displays the test pattern for adjustment.

Adjust Pattern Color

For setting the color of the adjustment pattern displayed during adjustment to “White” or “Yellow / Cyan”.

Adjust (Pixel)

When “Adjust Area” is set to “Whole”, adjustment can be made by moving in units of one pixel on the screen of the color selected in “Adjust Color”.

➔ “Whole Adjust (Pixel) Operation Procedure” (P. 37)

- Adjustment cannot be made when “Adjust Area” is set to “Zone”.

Setting	Description
H (Horizontal)	Setting range: -2 (moves red/blue to the left) to +2 (moves red/blue to the right)
V (Vertical)	Setting range: -2 (moves red/blue downward) to +2 (moves red/blue upward)

Adjust (Fine)

When “Adjust Area” is set to “Whole”, adjustment can be made by moving in units of 1/8 pixel on the screen of the color selected in “Adjust Color”.

➔ “Whole Adjust (Fine) Operation Procedure” (P. 38)

When “Adjust Area” is set to “Zone”, the screen is divided evenly into 10 vertical and horizontal zones, and fine adjustment of each area is possible.

➔ “Zone Adjust Operation Procedure” (P. 39)

Setting	Description
H (Horizontal)	Setting range: -31 (moves red/blue to the left) to +31 (moves red/blue to the right)
V (Vertical)	Setting range: -31 (moves red/blue downward) to +31 (moves red/blue upward)

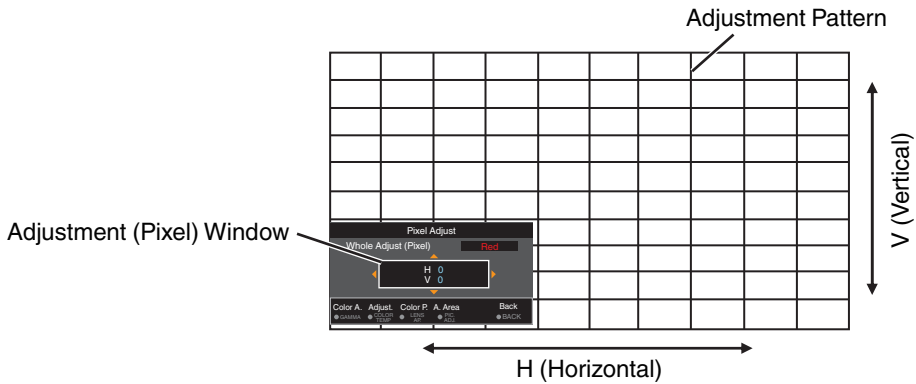
Reset

Restores all pixel adjustment data to the factory default.

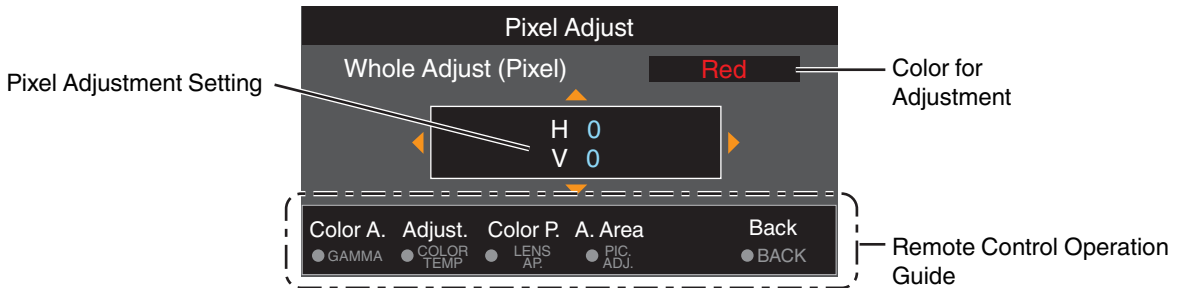
Whole Adjust (Pixel) Operation Procedure

For making general adjustments to slight color fringing in the horizontal/vertical directions of the video image.

- ① Set “Adjust Area” to “Whole”
- ② Select “Adjust Color” and “Adjust Pattern Color”
- ③ Select “Adjust (Pixel)”, and press the [OK] button
 - The Adjustment mode is activated, and the selected adjustment pattern and Adjustment (Pixel) window are displayed.



- ④ Use the [▲▼◀▶] keys to move and adjust the vertical and horizontal pixels of the entire zone
 - The adjustment setting appears at the center of the Adjustment (Pixel) window.



- ⑤ After adjustment is complete, press the [BACK] button twice to exit the Adjustment mode

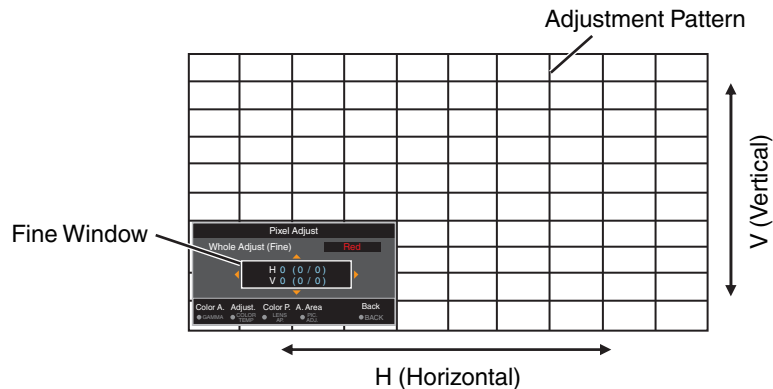
Remote Control Operation Guide

Button Name	Function	Description of Operation
[GAMMA]	Color A.	Changes “Adjust Color”.
[COLOR TEMP.]	Adjust	Switches between “Adjust (Pixel)” and “Adjust (Fine)”. <ul style="list-style-type: none"> • Switches to “Adjust (Pixel)” when “Adjust Area” is set to “Zone”.
[LENS AP.]	Color P.	Changes “Adjust Pattern Color”.
[PIC ADJ.]	A. Area	Switches “Adjust Area”. <ul style="list-style-type: none"> • A zone cursor appears on the adjustment pattern when the “Zone” setting is selected.

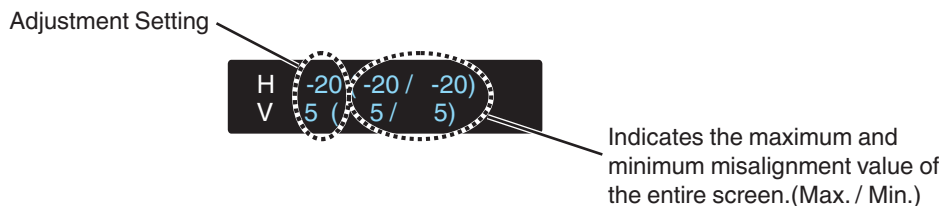
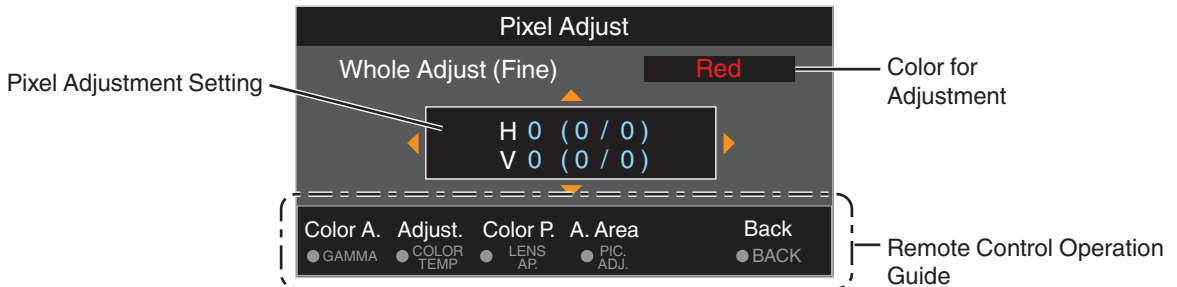
Whole Adjust (Fine) Operation Procedure

For making general adjustments on the misalignment of the entire screen using “Adjust (Pixel)”, followed by making fine adjustments.

- ① Set “Adjust Area” to “Whole”
- ② Select “Adjust Color” and “Adjust Pattern Color”
- ③ Select Adjust (Fine), and press the [OK] button
 - The Adjustment mode is activated, and the selected adjustment pattern and Fine window are displayed.
 - The adjustable range may be smaller depending on the pixels being adjusted on the entire screen.



- ④ Use the [▲▼◀▶] keys to move and adjust the vertical and horizontal pixels of the entire zone
 - The adjustment setting appears at the center of the Fine window.



- ⑤ After adjustment is complete, press the [BACK] button twice to exit the Adjustment mode

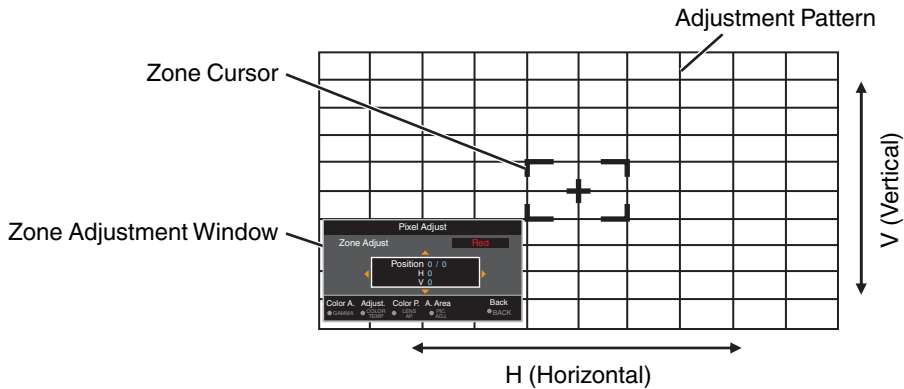
MEMO

- If both the maximum overall screen misalignment of H (horizontal direction) and V (vertical direction) are “31”, you cannot select a value that is larger than the displayed setting even when the adjustment setting is lower than the maximum value.
- If the minimum overall screen misalignment is “-31”, you cannot select a value that is smaller than the displayed setting even when the adjustment setting is higher than the minimum value.

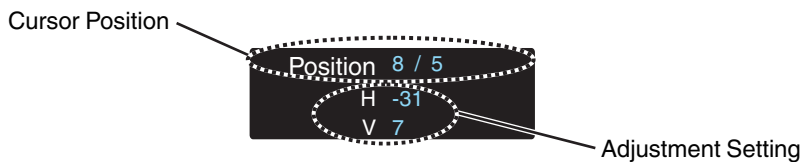
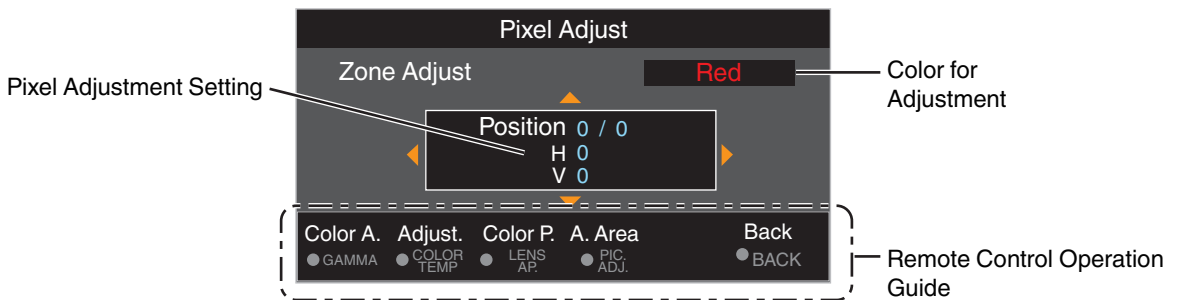
Zone Adjust Operation Procedure

For fine-tuning misalignments on a part of the screen after adjusting the overall screen misalignment using “Adjust (Pixel)” and “Adjust (Fine)”.

- The screen can be divided vertically and horizontally into 10 sections for partial adjustments to be made.
- ① Set “Adjust Area” to “Zone”
 - ② Select “Adjust Color” and “Adjust Pattern Color”
 - ③ Select Adjust (Fine), and press the [OK] button
 - The Adjustment mode is activated, and the selected adjustment pattern and Zone Adjustment window are displayed.
 - The adjustable range may be smaller depending on the pixels being adjusted on the entire screen.



- ④ Press the [▲▼◀▶] keys to move the cursor to the point to be adjusted
- ⑤ Press the [OK] button to enter the Adjustment mode
- ⑥ Use the [▲▼◀▶] keys to move and adjust the vertical and horizontal pixels of the entire zone
 - The adjustment setting appears at the center of the Zone Adjustment window.



- ⑦ After adjustment is complete, press the [BACK] button twice to exit the Adjustment mode

Mask

For hiding the peripheral area of the image with a mask (black strip).

Setting	Description
Off	Not masked.
On	Hides the ranges specified in “Top”, “Bottom”, “Left” and “Right” by masking (with black strips).

■ Off



■ On



Mask: black strip around the periphery

“Top” / “Bottom” / “Left” / “Right”

For specifying the ranges to hide by masking (with black strips).

- Setting range: 0 to 220

Distortion Correction

Corrects distortion of the screen.

Distortion Correction

For setting the adjustment feature to On or Off.

Adjust Pattern Color

For setting the color of the adjustment pattern displayed during adjustment to “White” or “Green”.

Adjust Pattern

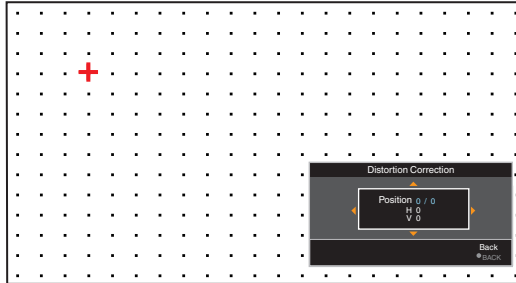
Setting	Description
Off	Displays the external signals without displaying the test pattern for adjustment.
On	Displays the test pattern for adjustment.

Adjust

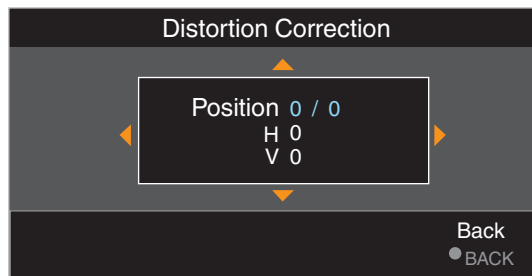
Displays the adjustment screen.

Operation procedure for Adjust

- ① Select “Adjust Pattern Color”
- ② Select “Adjust”, and press the [OK] button
 - The Adjustment mode is activated, and the selected adjustment pattern and Adjustment window are displayed.



- ③ Select the position to compensate by using the [▲▼◀▶] keys to move the cursor, followed by pressing the [OK] button.
- ④ Use the [▲▼◀▶] keys to set the compensation value
 - Pressing the [OK] button each time switches the setting item in sequence. “Position” → “H” → “V” → “Position”...
 - The item that is currently being set is displayed in blue.
 - A red cursor is displayed when setting the position. A blue cursor is displayed when setting the compensation value.



- ⑤ After adjustment is complete, press the [BACK] button to exit the Adjustment mode

MEMO

- Noise may occur during adjustment. This is not a malfunction.

Edge Blending

Corrects the seam between the images during projection by multiple projectors.

- * This function is disabled when "Picture Mode" is set to "Dynamic".

Edge Blending

For setting the function to On or Off.

Setting	Description
Off	Disables the Edge Blending function.
On	Enables the Edge Blending function.

Guide

For setting the guideline display (start point: green; end point: red).

Setting	Description
Off	Hides the guideline.
On	Displays the guideline.

Position Select

For setting the compensation position.

Setting	Description
Top	For setting the start and end points using the Start/End item.
Bottom	
Left	
Right	

Start/End

For setting the start and end points of the compensation position selected in "Position Select".

- Setting range: 0 to 255 (left/right), 0 to 135 (up/down)

Black Level

For adjusting the black level.

- Setting range: 0 to 50

Installation Style

For setting to "Front", "Ceiling Mount (F)", "Rear", or "Ceiling Mount (R)" according to the installation status of the projector.

- "Front" or "Ceiling Mount (F)" is set when projector is installed in the front with respect to the screen.
- "Rear" or "Ceiling Mount (R)" is set when projector is installed in the rear with respect to the screen.
- * When using the projector with the lens shifted in the vertical direction, the amount of distortion at the upper and lower ends may be different and the curvature distortion may not be fully corrected.

LED Indication

When “LED Indication” is set to “Off”, the LED indicator does not light up or blink under the following status.

- When the time to replace the laser light source is near. (P. 46)
- When HIDE is on. (P. 68)
- When the projector receives a signal from a remote control which is set to a different code mode (A or B). (P. 45)

High Altitude Mode

For setting the high altitude mode to “On” or “Off”.

Set to “On” when using the projector at a location of low atmospheric pressure (higher than 900 m above sea level).

Display Setup

Back Color

For setting the color of the background to “Blue” or “Black” when there is no signal input.

Menu Position

For setting the display position of the menu.

Signal Display

For setting the display of the input information to “On” or “Off”.

Setting	Description
Off	Not displayed.
On	Shows the input terminal for 5 seconds when input is switched.

Logo

For setting the display of logo during startup to “On” or “Off”.

Setting	Description
Off	Not displayed.
On	Displays the “D-ILA” logo for 5 seconds during startup.



Function

Sync Out

For selecting the type of signal to output from Sync Out.

Setting	Description
Input (Positive)	Outputs a signal that is synchronized with the vertical sync signal of the input video signal. (*)
Input (Negative)	Outputs a signal with reversed polarity that is synchronized with the vertical sync signal of the input video signal. (*)
Low	Fixes the output at Low.
High	Fixes the output at High.
FEDSC	Outputs a signal that is synchronized with the polarity information included in the FEDSC packet. Outputs a Low when there is no FEDSC packet.

* Outputs the e-shift driving waveform if "e-shift" is set to "On(Positive)", "On(Negative)" or "On(FEDEC)".

- When 3D Setting → "3D Format" is set to "3D", 3D sync signal is output during 3D signal input regardless of this setting.
 - When the input signal is "Dual - frame sequential" or "Quad - frame sequential" → Synchronizes with the input. (The polarity is dependent on 3D Setting → "Polarity".)
 - When the input signal is "Dual - stripes" or "Quad - stripes" → Synchronizes with the FEDSC packet. (The polarity is dependent on 3D Setting → "Polarity".)

Off Timer

For setting the duration before the power turns off automatically when the projector is not operated.

- Setting values: "Off", "1 Hour", "2 Hours", "3 Hours" and "4 Hours"
- * The setting will be retained even after the Off Timer operation has completed.

Network

For specifying the settings for external control from a PC or smartphone.

Setting	Description	
DHCP Client	On	Obtains the IP address automatically from the DHCP server inside the connected network.
	Off	For configuring the network settings manually.
IP Address	For configuring the IP address.	
Subnet Mask	For configuring the subnet mask.	
Default Gateway	For configuring the default gateway.	
MAC Address	Displays the MAC address of the unit.	
Set	Applies the network settings.	

Glossary of Network Terminology

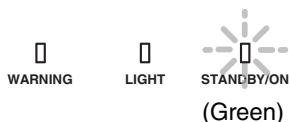
- DHCP : Abbreviation for Dynamic Host Configuration Protocol. This is a protocol for the network to assign an IP address automatically to the connected device.
- IP Address : Numeric characters for identifying the device that is connected to the network.
- Subnet Mask : Numeric characters that define the bit count used for the network address that is a segment of the IP address.
- Default Gateway : Server for communicating beyond the network that is divided by the subnet mask.
- MAC Address : Abbreviation for Media Access Control address. This is a number that is unique to each network adapter. Each of the network adapters is assigned with a unique MAC address.

Remote Code

For changing the remote control code.

Setting	Description
A	Change the remote control code from "B" to "A".
B	Change the remote control code from "A" to "B".

- You need to configure the remote control according to the settings of this unit.
On the remote control unit, press the [MENU] and [BACK] buttons at the same time for three seconds or longer to switch the code.
 - The backlight of the remote control blinks 3 times: change the remote control code to "A"
 - The backlight of the remote control blinks 2 times: change the remote control code to "B"
- If the setting differs between this unit and the remote control, the "STANDBY/ON" indicator blinks in green when receiving the remote control code.



Hide Mode

For reducing the power consumption through suppressing the current supply for the LD block when the [HIDE] button is pressed to hide the image temporarily.

Setting	Description
Off	Do not suppress the current supply when the [HIDE] button is pressed to hide the image temporarily.
On	Suppresses the current supply when the [HIDE] button is pressed to hide the image temporarily.

Software Update

For performing a software update.

For the latest information on the software, refer to <https://www3.jvckenwood.com/english/download/>.

Information

Page 1

Setting	Description
Input	Displays video input terminal.
Status	Displays the image output status.
Resolution (DP 1 / DP 2 / DP 3 / DP 4)	Displays the resolution information of signal input to each of the DP 1 to DP 4 terminals.
Light Source Time	Displays the laser light source time.
Soft Ver.	Displays the firmware version.

Pages 2 to 5

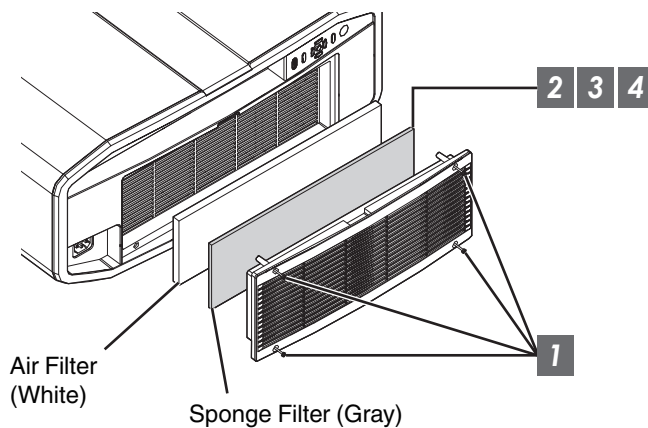
Setting	Description
DP 1 to DP 4	Displays the terminal for which the corresponding information is displayed.
Resolution	Displays the image resolution.
H Frequency	Displays the horizontal frequency.
V Frequency	Displays the vertical frequency.
Color Depth	Displays the color bit depth of the input video signal. <ul style="list-style-type: none">• Not displayed when YCbCr (4:2:2) is input.• Displayed when Deep Color information is received from the source device.
Color Space	Displays the Color Space detected by AVI Info frame.
Link Rate	Displays the transmission frequency of the input signal.
Lane Count	Displays the number of lanes used for the input signal.

Maintaining the Cabinet and Remote Control

- Gently wipe off dirt on the cabinet with a soft cloth.
- If it is extremely dirty, wet a cloth in water, wring dry and use it to wipe off the dirt, followed by wiping again with a dry cloth.
- Pay attention to the following as the cabinet may deteriorate in condition or the paint may come off.
 - Do not wipe with thinner or benzine
 - Do not allow prolonged contact with rubber or plastic products
 - Do not spray volatile chemicals such as insecticide

Cleaning and Replacing the Filter

Clean the filter regularly. Using a filter without cleaning may reduce the brightness of the image. Dirt that enters the unit may also appear as shadows on the image.



- 1** Loosen the 4 screws and remove the cover
 - The screws cannot be removed from the cover. Do not try to remove the screws from the cover by force.
- 2** Remove the sponge filter
- 3** Use a vacuum cleaner to remove dirt from the sponge filter carefully
- 4** Restore the sponge filter
- 5** Restore the cover and fasten the 4 screws

CAUTION

- Do not wash the air filter with water. Doing so may cause the filter to deteriorate.
- Make sure to attach the air filter and sponge filter in the correct sequence.

MEMO

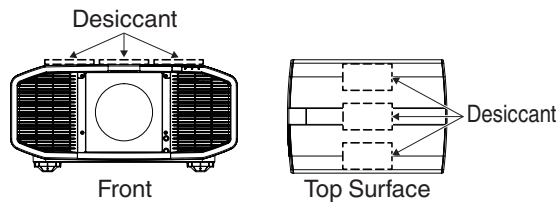
- If the air filter or sponge filter is damaged and requires replacement, or if dust gets into the unit, consult your authorized dealer or nearby service center.
- Air filter
Product no.: F1K-0062-00
- Sponge filter
Product no.: J3K-0049-00

Long term storage of projector

If projector is to be stored or not powered up from more than 3 month, it is recommended that the projector be stored in a sealed bag with desiccant.

CAUTION

- 1) If projector is run on a normal cycle weekly or powered on for at least 8 hours every 90 days, no action is required.
 - 2) Desiccant should be changed every year or sooner if exposed to humid environment.
- Desiccant
Product no :LC43436-001A
 - Sealed bag
Product no :LC43435-002A



About the Lens

- This projector does not come with a projection lens.
To use the projector, please mount a projection lens according to your requirements.
- When using an optional standard zoom lens or short focus lens, a spacer and shift plate are required. Use the spacer that comes with this unit. The shift plate varies depending on the tilting angle of the lens so please contact our sales representative.
- To use the Shift function, a motorized lens shift unit is required. (Sold separately)
<Optional Extras>
Standard zoom lens (product no.: GL-MZ4014SZ)
Short focus lens (product no.: GL-MZ4009SZ)
Motorized lens shift unit (product no.: PK-MLS01)

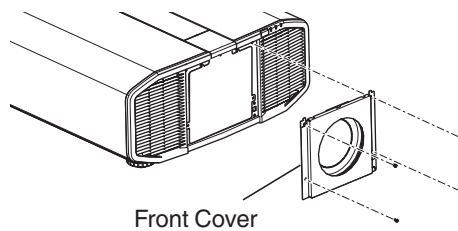
Mounting the Lens

When installing the lens using the shift plate, do so according to the following procedures.
When using the optional motorized lens shift unit (PK-MLS01), refer to its instruction manual.

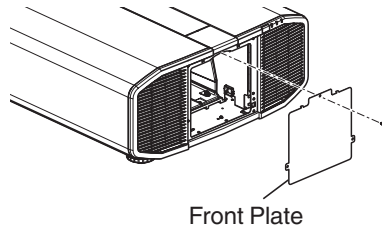
CAUTION

- Before attaching the lens, check to make sure that the power of the projector is not turned on and the power cord is not connected. Failure to do so may cause electric shock or injuries.
- When using the projector in an environment where vibration occurs continuously, tighten the mounting screws periodically or apply treatment to the screws for mounting before use to prevent them from loosening.
 - * The recommended tightening torque for the screws for mounting the lens is 1.47N·m (15kgf·cm).

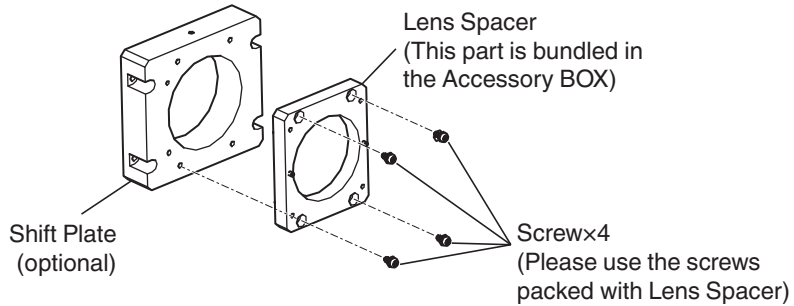
1 Unscrew the 4 screws using a Phillips screwdriver to remove the front cover



2 Unscrew the screw using a Phillips screwdriver to remove the front plate

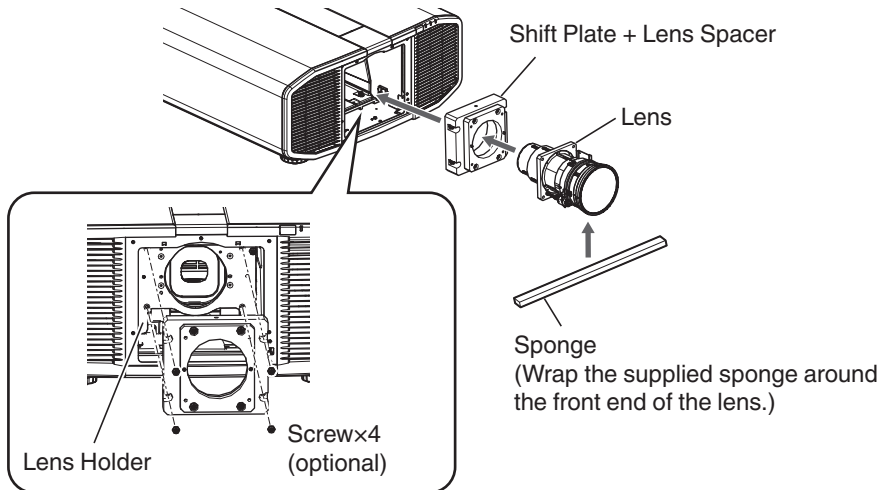


3 Secure the lens spacer to the shift plate using the supplied screws



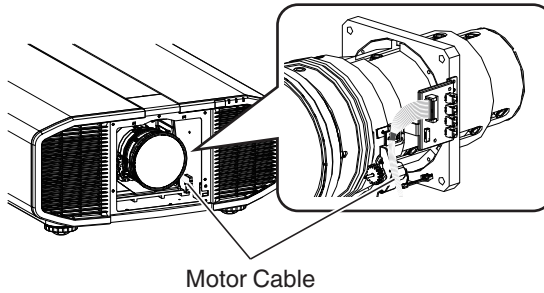
4 Attach the spacer and insert lens

- Attach the Lens Spacer and Shift Plate to the Lens Holder and fasten using the 4 screws packed with Lens Spacer using a Phillips screwdriver.
- Insert the lens with the connector rightward.



5 Connect the motor cable

- Connect the motor cable (20pin) to lens.

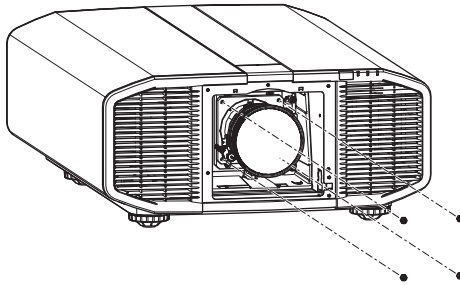


CAUTION

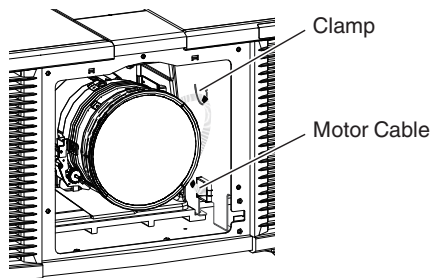
- Keep the cable away from the motor gear when clamping the motor cable.

6 Tighten the 4 screws using the Phillips head screwdriver to fasten the lens

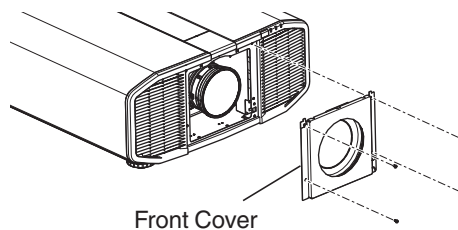
- Use the screws that comes with the lens.
- * The recommended tightening torque for the screws for mounting the lens is $1.47\text{N} \cdot \text{m}$ ($15\text{kgf} \cdot \text{cm}$).



7 Clamp the motor cable



8 Attach the front cover, and fasten using the 4 screws using a Phillips screwdriver



Troubleshooting


Before sending the unit to your authorized dealer for repair, please check the following points.

The following symptoms are not malfunctions.

You do not need to worry about the following symptoms if there is no abnormality on the screen.

- A part of the top or front surface of the unit is hot.
- A creaking sound is heard from the unit.
- An operating sound is heard from the inside of the unit.
- Color smear occurs on some screens.

This unit is a digital device. This unit may become unable to operate normally due to external static or noise. Perform the following operations when such malfunctions occur.

- ① If the unit is in the Standby mode, pull out the power plug, followed by inserting it again
- ② Press the  button on the projector unit to turn on the power again

Power is not supplied

Check	Action	Refer to
Is the power cord disconnected?	Insert the power cord (plug) firmly.	P. 23
Is the unit in the Cool-down mode?	After exiting the Cool-down mode, turn on the power again.	P. 25

Power shuts down automatically

Check	Action	Refer to
Has "Off Timer" been configured?	Set "Off Timer" to "Off".	P. 44
Are the air inlets and exhaust vent blocked?	Leave proper clearance when installing the unit.	P. 13, 18
Is there a large amount of dirt attached to the sponge filter?	Remove the dirt using a vacuum cleaner.	P. 47

Video image does not appear

Check	Action	Refer to
Is the correct external input selected?	Select the correct external input terminal.	P. 24
Is the power of the AV device or PC turned on?	Turn on the power of the AV device or PC and play the video.	P. 22
Is the AV device or PC properly connected?	Connect the AV device or PC properly.	P. 22
Are the correct signals being output from the AV device or PC?	Set the AV device or PC properly.	P. 22
Is an intermediate device (AV amplifier, divider, etc.) in use?	Change the sequence of turning on the source device, intermediate device and the projector. And after turning on each device, ensure that the signal output is stable before turning on the next device.	P. 22

3D images do not appear

Check	Action	Refer to
Is an intermediate device (AV amplifier, divider, etc.) in use?	Connect the source device to the projector directly, and check whether there is any improvement in the condition. If the condition improves, it is likely that this is not caused by malfunction of the projector.	—
Is the power of the 3D Glasses turned on?	Check the power of the 3D Glasses.	Check the instruction manual of the 3D Glasses.

3D video image looks unnatural

Check	Action	Refer to
Are there overlapping video images?	If there are overlapping video images partially, this is due to the crosstalk phenomenon. Adjust “Crosstalk Cancel” and “Sync Phase”.	P. 34

Video image looks unnatural

Colors are unnatural

Check	Action	Refer to
Is the color space of the input signal correctly set?	The color may turn out unnatural when the input signal is different from that in the projector setting. Set the “Color Space” for “Input Signal” correctly.	P. 33
Is the image correctly adjusted?	Adjust “Color” and “Tint” accordingly.	P. 32
Is the AV device or PC properly connected?	Connect the AV device or PC properly.	P. 22

* The video image may appear slightly reddish immediately after starting up. This is not a malfunction.

Video image is fuzzy

Check	Action	Refer to
Is the focus correctly adjusted?	Adjust the focus.	P. 35
Is the unit placed too near or too far away from the screen?	Set the unit at a correct distance from the screen.	P. 61

Video image flickers

Check	Action	Refer to
Are you viewing the video images under a fluorescent light?	This is caused by interference between the 3D glasses with the flickers of the fluorescent light. View with the fluorescent light turned off.	—

Projected image is dark

Check	Action	Refer to
Is the laser light source near exhaustion?	Check the laser light source time in the "Information" menu. If 20,000 hours have elapsed, the brightness will be half the brightness at shipment.	P. 46
Is the aperture closed?	Increase the value of the "Aperture" setting.	P. 28
Is the value of the "LD Current" setting small?	Increase the value of the "LD Current" setting.	P. 28

Striped patterns appear on the screen

Check	Action	Refer to
Does the fabric of the screen have a regular pattern?	Interference fringes may sometimes occur between the fabric pattern and the pixels. Please consult the authorized dealer.	—

Video images are missing

Check	Action	Refer to
Has screen mask been configured?	Set "Mask" to "Off".	P. 40

Zoom or focus does not work

Check	Action	Refer to
Is the lens replaced?	Depending on the lens position, the lens may not work when it has been replaced. While at the Focus / Zoom adjustment screen, press and hold the ▲ or ▼ key for 2 seconds or longer. Doing so will allow the lens to recover from this condition.	P. 35

Remote control does not work

Check	Action	Refer to
Are the batteries correctly loaded?	Match the polarities (⊕ ⊖) correctly when loading the batteries.	P. 16
Are the batteries exhausted?	Replace with new batteries.	P. 16
Is there an obstructing object between the remote control and remote sensor?	Remove any obstructing object.	P. 16
Is the remote control held too far away from the unit?	Hold the remote control closer to the sensor during use.	P. 16

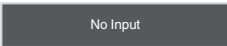

Noise is heard

Check	Action	Refer to
Is the exhaust vent blocked? Is the unit used near a heater or air-conditioner?	Check the installation condition of the projector. When the surrounding temperature of the projector is high, the fan revolution speed increases to protect the projector unit, hence a louder operating sound.	P. 18

There are small black or colored dots on the screen

The D-ILA device is manufactured using high-precision technologies, but there may be some (less than 0.01%) missing pixels or pixels that remain permanently lit. This is not a malfunction.

When the Following Messages Appear...

Message	Description	Action
	<ul style="list-style-type: none">• No device is connected to the input terminal.• The input terminal is connected but there is no signal.	Input the video signals.
	A video signal that cannot be used with this unit has been input (the names of input terminals such as “DP 1” will be displayed in yellow).	Input video signals that can be used. (P. 63)

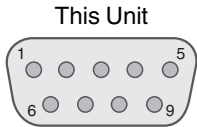
External Control

It is possible to control this unit by connecting it to a PC using an RS-232C cross cable (D-sub 9-pin). The projector can be controlled by connecting it to a PC through the computer network with a LAN cable for control commands to be sent to the projector.

➔ “ Network ” (P. 44)

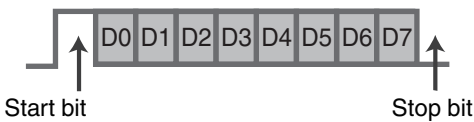
- Please use it after you have gained proper understanding from professional books or consulting the system administrator.

RS-232C Specifications



Pin No.	Signal	Function	Signal Direction
2	RxD	Receive data	PC → This unit
3	TxD	Transmission data	This unit → PC
5	GND	Signal ground	—
1, 4, 6 - 9	N/C	—	—

- PC refers to the controller, such as a personal computer.

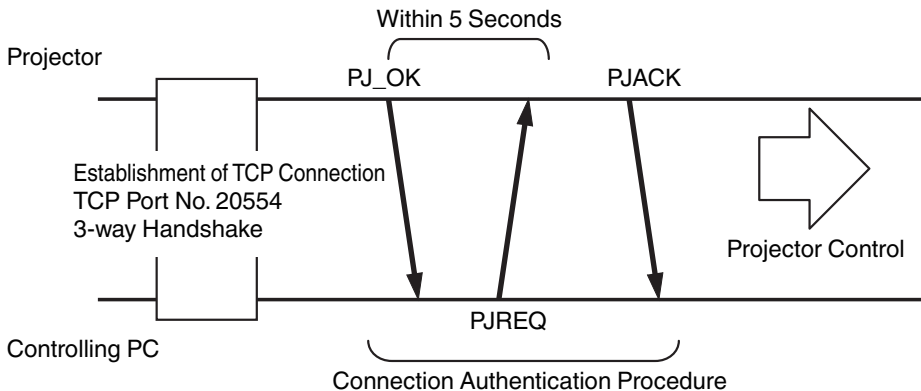


Mode	Non-synchronous
Character length	8 bit
Parity	None
Start bit	1
Stop bit	1
Data rate	19200 bps
Data format	Binary

TCP/IP Connection

Before controlling via LAN, it is necessary to establish connection of the TCP layer by a “3-way handshake”, followed by sending out “PJREQ” and receiving “PJACK” within five seconds after the projector sends out “PJ_OK” for connection authentication.

If you are unable to complete sending within five seconds, or when “PJ_NG” or “PJNAK” is received, check the operating status of the projector, followed by performing the steps again starting from establishment of a TCP connection.



Command Format

The command between this unit and the computer consists of “Header”, “Unit ID”, “Command”, “Data” and “End”.

- Header (1 byte), Unit ID (2 bytes), Command (2 bytes), Data (n bytes), End (1 byte)

Header

This binary code indicates the start of communication.

Binary Code	Type	Description
21	Operating command	PC → This unit
3F	Reference command	PC → This unit
40	Response command	This unit → PC
06	ACK	This unit → PC (returns to PC after the command is accepted without error)

Unit ID

This is a code that specifies the unit. The binary code is fixed at “8901”.

Command and data

Operating command and data (binary code)

Command	Type	Description
0000	Connection check	Check whether communication is enabled between this unit and the PC during standby.
5057	Power supply	During standby 31: Turns on the power When power is on 30: Turns off the power (Standby mode)
4950	Input	When power is on 38: DP 1 39: DP 2 41: DP 3 42: DP 4
5243	Remote control	Sends the same code as the supplied remote control. <ul style="list-style-type: none"> • “Remote Control Code”P. 58

Reference command and data (binary code)

Command	Type	Description
5057	Power supply	During standby or when power is on 30: Standby mode 31: When power is on 32: In the Cool-down mode 34: When error occurs on this unit
4950	Input	When power is on 38: DP 1 39: DP 2 41: DP 3 42: DP 4

End

This code indicates the end of communication. The binary code is fixed at “0A”.

Remote Control Code

Binary code is sent during communication.

- The following applies to the case when the remote control code is "A". In the case of "B", add "36" to the beginning of the code.

Remote Control Button Name	Binary Code
STAND BY	37 33 30 36
ON	37 33 30 35
INPUT 1	37 33 37 30
INPUT 2	37 33 37 31
DUAL	37 33 34 44
INPUT 3	37 33 34 42
INPUT 4	37 33 34 43
QUAD	37 33 34 36
LENS CONTROL	37 33 33 30
C.M.D.	37 33 38 41
MOTION ENHANCE	37 33 46 36
HIDE	37 33 31 44
▲	37 33 30 31
▼	37 33 30 32
▶	37 33 33 34
◀	37 33 33 36

Remote Control Button Name	Binary Code
OK	37 33 32 46
MENU	37 33 32 45
BACK	37 33 30 33
NATURAL	37 33 36 41
DYNAMIC	37 33 36 42
NAME EDIT	37 33 46 37
USER1	37 33 36 43
USER2	37 33 36 44
USER3	37 33 36 45
USER4	37 33 43 41
USER5	37 33 43 42
USER6	37 33 43 43
GAMMA	37 33 37 35
COLOR TEMP.	37 33 37 36
LENS AP.	37 33 32 30
PIC. ADJ.	37 33 37 32

Communications Example

This section shows the communication examples of RS-232C.

Operating command

Type	Command	Description
Connection check	PC → This unit: 21 89 01 00 00 0A This unit → PC: 06 89 01 00 00 0A	Connection check
Power (On)	PC → This unit: 21 89 01 50 57 31 0A This unit → PC: 06 89 01 50 57 0A	When power is turned on from the Standby mode
Power (Off)	PC → This unit: 21 89 01 50 57 30 0A This unit → PC: 06 89 01 50 57 0A	When power is turned off (Standby mode) from power-on mode
Remote control (MENU)	PC → This unit: 21 89 01 52 43 37 33 32 45 0A This unit → PC: 06 89 01 52 43 0A	When the same operation as pressing the [MENU] button on the remote control is performed

Reference command

Type	Command	Description
Power (On)	PC → This unit: 3F 89 01 50 57 0A This unit → PC: 06 89 01 50 57 0A This unit → PC: 40 89 01 50 57 31 0A	When information on the power-on state is acquired
Input (DP 1)	PC → This unit: 3F 89 01 49 50 0A This unit → PC: 06 89 01 49 50 0A This unit → PC: 40 89 01 49 50 38 0A	When information on DP 1 input is acquired

Specifications

Product Name	D-ILA Projector	
Model Name	DLA-VS4550, DLA-VS4600, DLA-VS4700	
Display Panel/Size	D-ILA device *1, 2 0.69" 4K D-ILA (4096 x 2160 pixels) x 3	
Light Source	Blu-Escent Laser / Phosphor	
Screen Size	Approx. 60" to 300" (Aspect ratio of 4096 x 2160)	
Brightness	3000 lm VS4550 VS4700 , 4000 lm VS4600	
Projection Distance	Refer to P. 61.	
Input Compatibility Signal	Refer to P. 63.	
Display Resolution	4096 x 2160 pixels VS4550 VS4600 , 8192 x 4320 pixels VS4700 *3	
Input Terminal	DisplayPort Input	DisplayPort 1.2a, 20-pin (male) x 4
Output Terminal	SYNC OUT	Mini jack, TTL output x 1 *4
Control Terminal	RS-232C Terminal	Single, D-sub 9-pin (male) x 1 *5
	Remote Terminal	Stereo mini jack (remote control) x 1
	LAN Terminal	Single, RJ45 jack, 10BASE-T/100BASE-TX x 1
Service Terminal	SERVICE	Single (USB Type A) x 1 *6
Power Requirements	AC 100 V to 240 V, 50 Hz/60 Hz	
Power Consumption	750 W (during standby: 1.5 W *7)	
Operation Environment	Temperature: 5°C to 35°C; humidity: 20% to 80%; storage temperature: -10°C to 60°C	
Installation Height	Below 6,561 ft (2,000 m)	
Dimensions (Width x Height x Depth)	500 mm x 235 mm x 703 mm (including feet)	
Mass	34.6 kg	
Accessories	Refer to P. 11.	

*1 D-ILA is the abbreviation for Direct Drive Image Light Amplifier.

*2 D-ILA devices are manufactured using extremely high-precision technology with a pixel effectiveness of 99.99%. Only 0.01% or less of the pixels are either missing or would remain permanently lit.

*3 During 3D playback, the display resolution is 4096 x 2160 pixels.

*4 For synchronizing with other equipment.

*5 For external control.

*6 Exclusively for firmware update.

*7 The power consumption of this product during networked standby when all wired network ports are connected is 1.5 W.

- Design and specifications are subject to change without prior notice.
- Please note that some of the pictures and illustrations may have been abridged, enlarged or contextualized in order to aid comprehension. Images may differ from the actual product.

Screen Size and Projection Distance

GL-MZ4009Z

Screen Size Diagonal (Inch)	Projection Distance (m)			
	17:9 Screen		16:9 Screen	
	Wide-end	Tele-end	Wide-end	Tele-end
60	1.22	1.74	1.29	1.83
70	1.44	2.04	1.52	2.15
80	1.65	2.34	1.74	2.47
90	1.87	2.65	1.97	2.78
100	2.08	2.95	2.19	3.10
110	2.30	3.25	2.42	3.42
120	2.52	3.55	2.65	3.74
130	2.73	3.85	2.87	4.05
140	2.95	4.15	3.10	4.37
150	3.16	4.46	3.33	4.69
160	3.38	4.76	3.55	5.00
170	3.59	5.06	3.78	5.32
180	3.81	5.36	4.01	5.64
190	4.02	5.66	4.23	5.95
200	4.24	5.96	4.46	6.27
210	4.45	6.26	4.69	6.59
220	4.67	6.57	4.91	6.90
230	4.88	6.87	5.14	7.22
240	5.10	7.17	5.36	7.54
250	5.32	7.47	5.59	7.85
260	5.53	7.77	5.82	8.17
270	5.75	8.07	6.04	8.49
280	5.96	8.37	6.27	8.81
290	6.18	8.68	-	-
300	6.39	8.98	-	-

GL-MZ4014Z

Screen Size Diagonal (Inch)	Projection Distance (m)			
	17:9 Screen		16:9 Screen	
	Wide-end	Tele-end	Wide-end	Tele-end
60	1.66	3.43	1.75	3.61
70	1.96	4.02	2.06	4.23
80	2.25	4.60	2.37	4.84
90	2.54	5.19	2.67	5.46
100	2.83	5.77	2.98	6.07
110	3.12	6.36	3.28	6.69
120	3.41	6.94	3.59	7.30
130	3.70	7.53	3.90	7.92
140	3.99	8.11	4.20	8.53
150	4.28	8.70	4.51	9.15
160	4.58	9.28	4.81	9.76
170	4.87	9.87	5.12	10.38
180	5.16	10.45	5.43	10.99
190	5.45	11.04	5.73	11.61
200	5.74	11.62	6.04	12.22
210	6.03	12.21	6.34	12.84
220	6.32	12.79	6.65	13.45
230	6.61	13.38	6.95	14.07
240	6.90	13.96	7.26	14.68
250	7.19	14.55	7.57	15.30
260	7.49	15.13	7.87	15.91
270	7.78	15.72	8.18	16.53
280	8.07	16.31	8.48	17.14
290	8.36	16.89	-	-
300	8.65	17.48	-	-

Types of Possible Input Signals

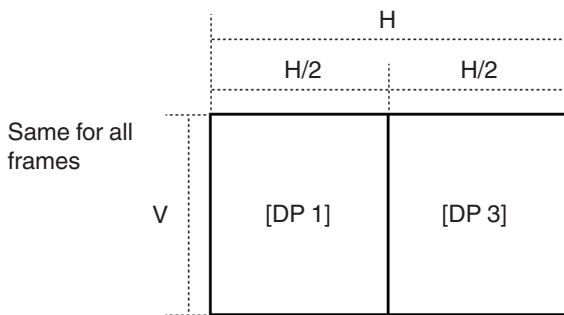
Single - DP1 - DP4

Original		Input Signal										
Designation	Resolution	Projector Terminal for Connection	Resolution	fh [kHz]	fv [Hz]	dot CLK [MHz]	Total No. of Dots [dot]	Total No. of Lines [line]	No. of Effective Dots [dot]	No. of Effective Lines [line]		
VGA	640 x 480	[DP 1] / [DP 2] / [DP 3] / [DP 4]	640 x 480	31.469	59.940	25.18	800	525	640	480		
1080p	1920 x 1080		1920 x 1080	56.250	50.000	148.50	2640	1125	1920	1080		
				67.433	59.940	148.35	2200	1125	1920	1080		
				67.500	60.000	148.50	2200	1125	1920	1080		
2K	2048 x 1080		2048 x 1080	56.250	50.000	148.50	2640	1125	2048	1080		
				67.433	59.940	148.35	2200	1125	2048	1080		
				67.500	60.000	148.50	2200	1125	2048	1080		
UXGA	1600 x 1200		1600 x 1200	75.000	60.000	162.00	2160	1250	1600	1200		
WUXGA	1920 x 1200		1920 x 1200	74.556	59.885	193.25	2592	1245	1920	1200		
QXGA	2048 x 1536		2048 x 1536	95.446	59.954	267.25	2800	1592	2048	1536		
WQXGA	2560 x 1600		2560 x 1600	99.458	59.987	348.50	3504	1658	2560	1600		
4K	3840 x 2160		3840 x 2160	53.946	23.976	296.70	5500	2250	3840	2160		
				54.000	24.000	297.00	5500	2250	3840	2160		
				56.250	25.000	297.00	5280	2250	3840	2160		
				67.433	29.970	296.70	4400	2250	3840	2160		
				67.500	30.000	297.00	4400	2250	3840	2160		
				112.500	50.000	594.00	5280	2250	3840	2160		
				134.865	59.940	593.41	4400	2250	3840	2160		
				135.000	60.000	594.00	4400	2250	3840	2160		
				4096 x 2160	4096 x 2160	4096 x 2160	53.946	23.976	296.70	5500	2250	4096
		54.000					24.000	297.00	5500	2250	4096	2160
		56.250					25.000	297.00	5280	2250	4096	2160
		67.433					29.970	296.70	4400	2250	4096	2160
		67.500					30.000	297.00	4400	2250	4096	2160
		112.500					50.000	594.00	5280	2250	4096	2160
134.865	59.940	593.41	4400				2250	4096	2160			
			135.000	60.000	594.00	4400	2250	4096	2160			

* For WQXGA, the display is dot-by-dot.

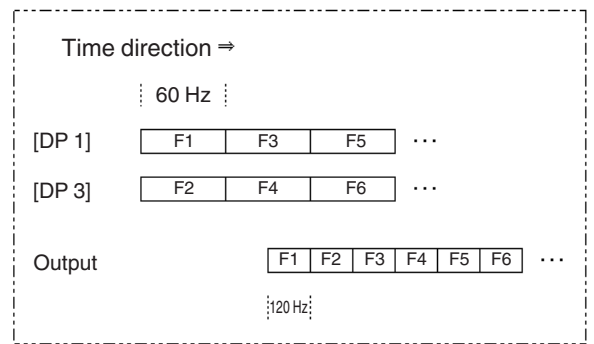
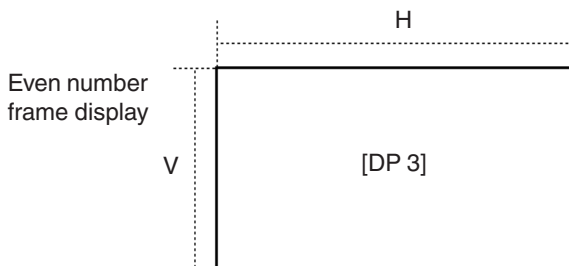
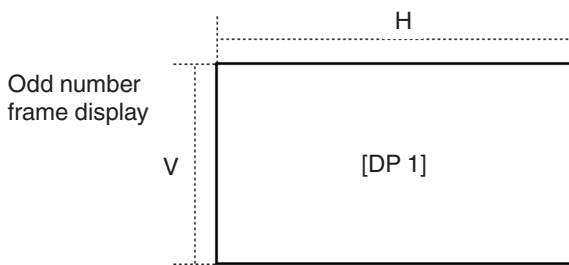
Dual - stripes

Original		Input Signal								
Designation	Resolution	Projector Terminal for Connection	Resolution	fh [kHz]	fv [Hz]	dot CLK [MHz]	Total No. of Dots [dot]	Total No. of Lines [line]	No. of Effective Dots [dot]	No. of Effective Lines [line]
WQXGA	2560 x 1600	[DP 1], [DP 3]	1280 x 1600	99.458	59.987	174.25	1752	1658	1280	1600
				198.916	119.973	348.50	1752	1658	1280	1600
4K	3840 x 2160		1920 x 2160	135.000	60.000	297.00	2200	2250	1920	2160
				270.000	120.000	594.00	2200	2250	1920	2160
	4096 x 2160		2048 x 2160	112.500	50.000	297.00	2640	2250	2048	2160
				135.000	60.000	297.00	2200	2250	2048	2160
			270.000	120.000	594.00	2200	2250	2048	2160	



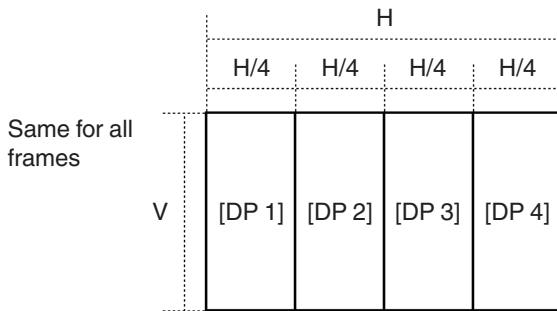
Dual - frame sequential

Original		Input Signal								
Designation	Resolution	Projector Terminal for Connection	Resolution	fh [kHz]	fv [Hz]	dot CLK [MHz]	Total No. of Dots [dot]	Total No. of Lines [line]	No. of Effective Dots [dot]	No. of Effective Lines [line]
WQXGA	2560 x 1600	[DP 1], [DP 3]	2560 x 1600	99.46	59.99	348.5	3504	1658	2560	1600
4K	3840 x 2160		3840 x 2160	134.87	59.94	593.4	4400	2250	3840	2160
				135.00	60.00	594.0	4400	2250	3840	2160
	4096 x 2160		4096 x 2160	112.50	50.00	594.0	5280	2250	4096	2160
				134.87	59.94	593.4	4400	2250	4096	2160
				135.00	60.00	594.0	4400	2250	4096	2160



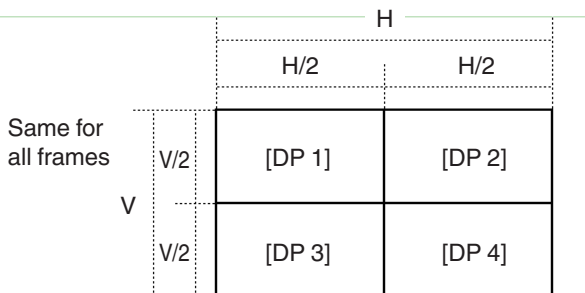
Quad - stripes

Original		Input Signal								
Designation	Resolution	Projector Terminal for Connection	Resolution	fh [kHz]	fv [Hz]	dot CLK [MHz]	Total No. of Dots [dot]	Total No. of Lines [line]	No. of Effective Dots [dot]	No. of Effective Lines [line]
4K	3840 x 2160	[DP 1], [DP 2], [DP 3], [DP 4]	960 x 2160	135.000	60.000	148.50	1100	2250	960	2160
				270.000	120.000	297.00	1100	2250	960	2160
	4096 x 2160		1024 x 2160	135.000	60.000	148.50	1100	2250	1024	2160
				270.000	120.000	297.00	1100	2250	1024	2160



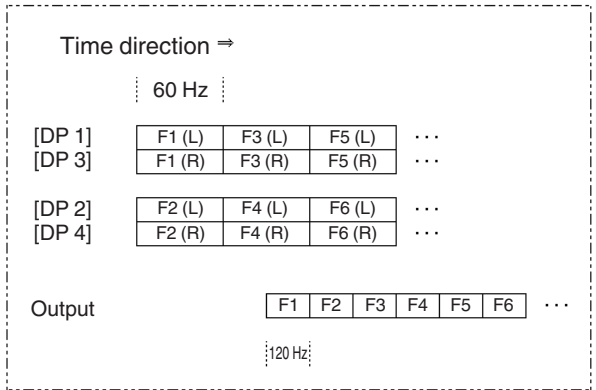
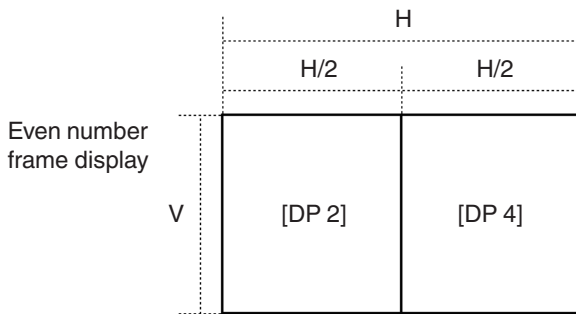
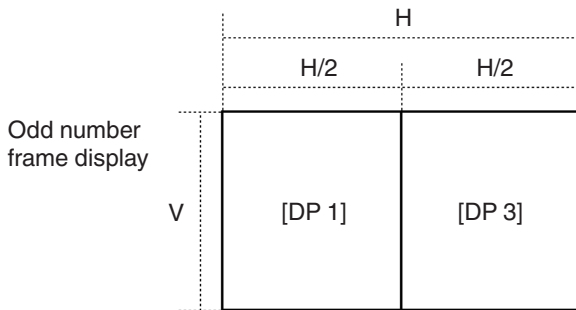
Quad - cross

Original		Input Signal								
Designation	Resolution	Projector Terminal for Connection	Resolution	fh [kHz]	fv [Hz]	dot CLK [MHz]	Total No. of Dots [dot]	Total No. of Lines [line]	No. of Effective Dots [dot]	No. of Effective Lines [line]
4K	3840 x 2160	[DP 1], [DP 2], [DP 3], [DP 4]	1920 x 1080	67.500	60.000	148.50	2200	1125	1920	1080
				135.000	120.000	297.00	2200	1125	1920	1080
	4096 x 2160		2048 x 1080	67.500	60.000	148.50	2200	1125	2048	1080
				135.000	120.000	297.00	2200	1125	2048	1080



Quad - frame sequential

Original		Input Signal								
Designation	Resolution	Projector Terminal for Connection	Resolution	fh [kHz]	fv [Hz]	dot CLK [MHz]	Total No. of Dots [dot]	Total No. of Lines [line]	No. of Effective Dots [dot]	No. of Effective Lines [line]
4K	3840 x 2160	[DP 1],	1920 x 2160	135.000	60.000	297.00	2200	2250	1920	2160
	4096 x 2160	[DP 2], [DP 3], [DP 4]	2048 x 2160	135.000	60.000	297.00	2200	2250	2048	2160



Indicator Display on the Main Unit

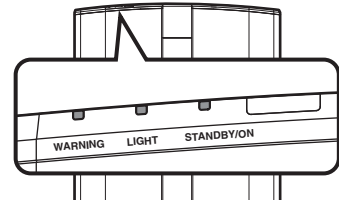
Meaning of the front panel indicators



The indicator lights up.



The indicator appears blinking.



Operation mode display

Displays using the different colors and solid/blinking light of the indicator on the projector unit.

“STANDBY/ON” lights up (red)
 • In standby state

“STANDBY/ON” lights up (green)
 • When LD block is starting up



“STANDBY/ON” blinking (red)
 • In the Cool-down mode

“STANDBY/ON” blinking (green)
 • When the video image is temporarily hidden (HIDE is on) *



* “LIGHT” indicator does not blinking when “LED Indication” is set to “Off”.

Estimated timing for laser light source replacement

Displays using the solid/blinking light of the “LIGHT” indicator.

* “LIGHT” indicator does not light up when “LED Indication” is set to “Off”.

“LIGHT” lights up (orange)

- Lights up when the “LD Current” gauge reaches 95 and above. (When the “Auto Intensity” function is “On”.)

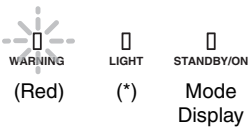
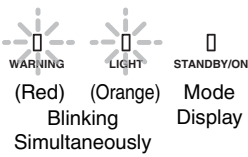
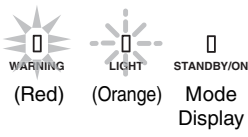



Warning display

You can tell the details of a warning from the (repeated) displays of the “WARNING” and “LIGHT” indicators. The “STANDBY/ON” indicator will light up or appear blinking according to the operation mode of the projector unit. (Please refer to ““Operation mode display”P. 68”.)

The Warning mode is activated once the message is displayed. Projection is interrupted, and the cooling fan is turned on for about 10 seconds.

The power cannot be turned on again while cooling is in progress. Check the following after cooling is complete.

Indicator Status	Blinking Frequency	Description	Check and Countermeasure
 <p>WARNING (Red) LIGHT (*) Mode Display</p>	x2	Cooling fan stopped abnormally	<ul style="list-style-type: none"> • Check that nothing is blocking the air inlets. • Check that the external temperature is normal. Countermeasure: Leave the unit unoperated until it cools down. After that, turn on the power again.
	x3	Internal temperature is abnormally high	
	x4	External temperature is too high	
 <p>WARNING (Red) LIGHT (Orange) Mode Display Blinking Simultaneously</p>	x1	Abnormal circuit operation	
	x2		
	x3		
	x4		
 <p>WARNING (Red) LIGHT (Orange) Mode Display</p>	x1	When the safety switch is activated	Request for repair at your authorized dealer or a nearby service center.
	x3		
	x4		
 <p>WARNING LIGHT STANDBY/ON (Green)</p>	x3	The remote control code differs between this unit and the remote control	Set the remote control code for this unit and the remote control correctly.(P. 45)

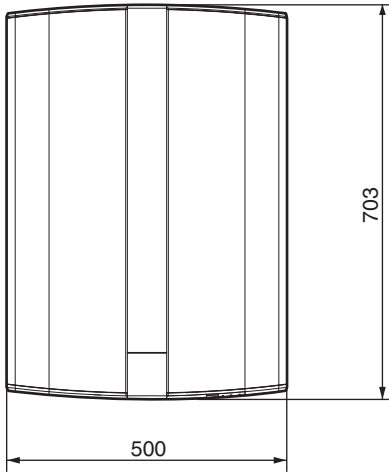
If the Warning mode is activated again, wait for the cooling fan to stop, followed by pulling out the power plug from the outlet.

Request for repair at your authorized dealer or a nearby service center.

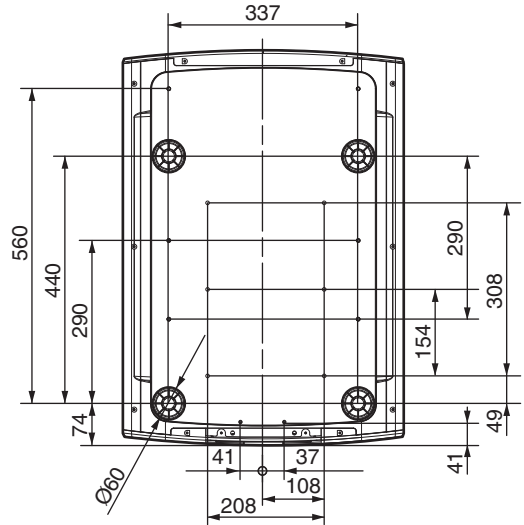
Dimensions

(Unit: mm)

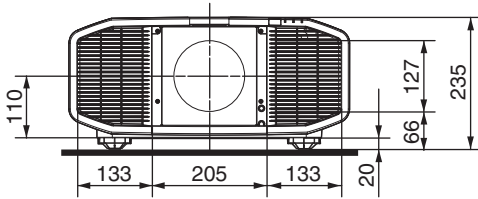
Top Surface



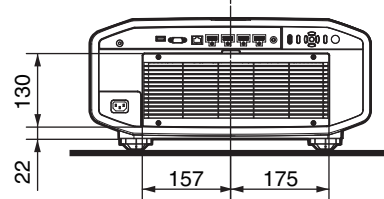
Bottom Surface



Front



Rear Surface



Index

A	Accessories	11	Installation Method	18	
	Adjusting Distortion of the Projection Screen	35			
	Adjustment and Setting by the Menu	26	L	Lens Control	35
	Aperture	28			
B	Back Color	43	M	Mask	40
	Blur Reduction	32		Menu Items	26
	Brightness	32		Menu Position	43
C	Ceiling Mount	20	N	Network	44
	Cleaning and Replacing the Filter	47	O	Off Timer	44
	Clear Motion Drive	32	P	PIC. ADJ.	15
	Color	32		Picture Adjust	28
	Color Management	29		Picture Mode	28
	Color Space	33		Pixel Adjust	36
	Color Temp.	30		Precautions during Installation	18
	Connection	22		Projection Distance	61
	Contrast	32	R	Remote Control	15
	Controls and Features	12		RS-232C	23
D	Dark Level / Bright Level	31	S	Screen Size and Projection Distance	61
	Dimensions	70		Signal Display	43
E	External Control	56		Soft Ver.	46
F	Filter Product no.	48		Specifications	60
	Focus	35	T	Tint	32
G	Gamma	31		Troubleshooting	52
	GAMMA	31	U	User Name Edit	29
H	HIDE	24	V	Viewing Videos	24
	High Altitude Mode	43	W	When the following messages appear...	55
I	Indicator Display	68	Z	Zoom	35
	Input Resolution	46, 63			
	Input Signal	46, 63			
	Input terminals	14			

DLA-VS4550、DLA-VS4600、DLA-VS4700
D-ILA Projector

JVC